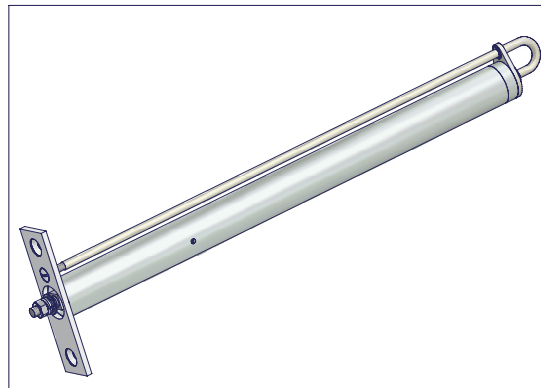


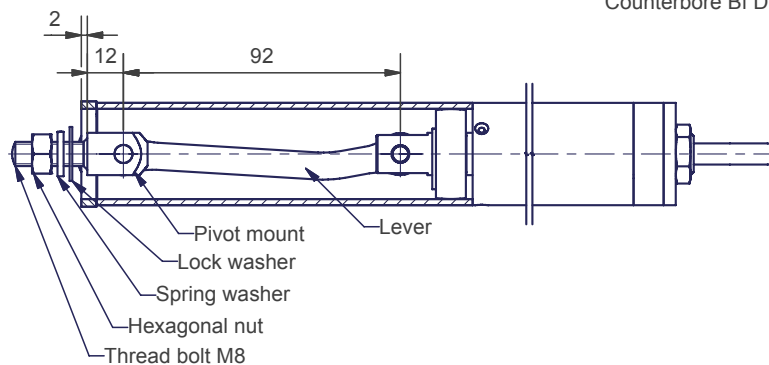
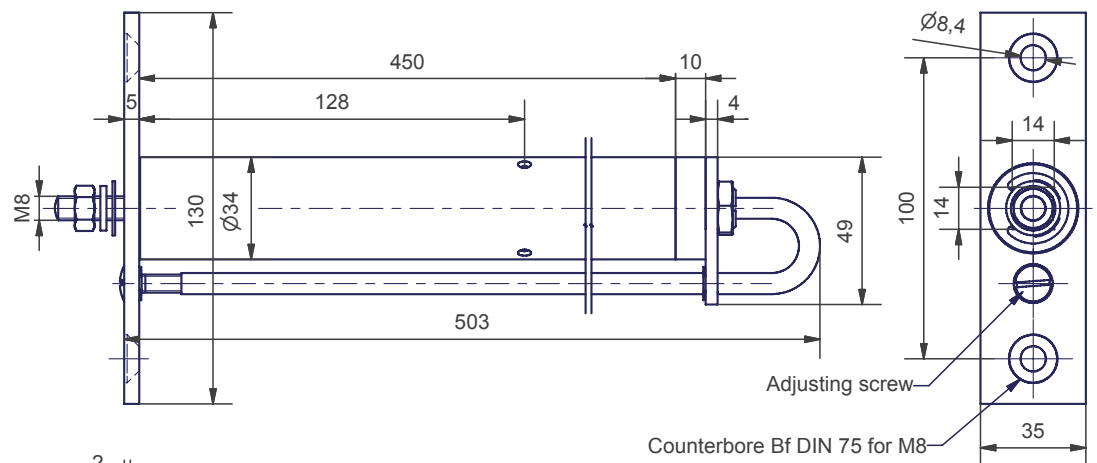
Damped closing of liftdoors and steel construction doors



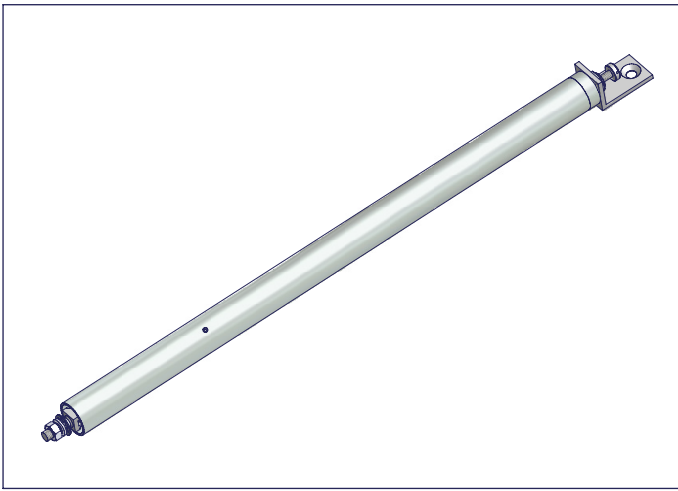
ATS-500

SCHNETZ

Door closer



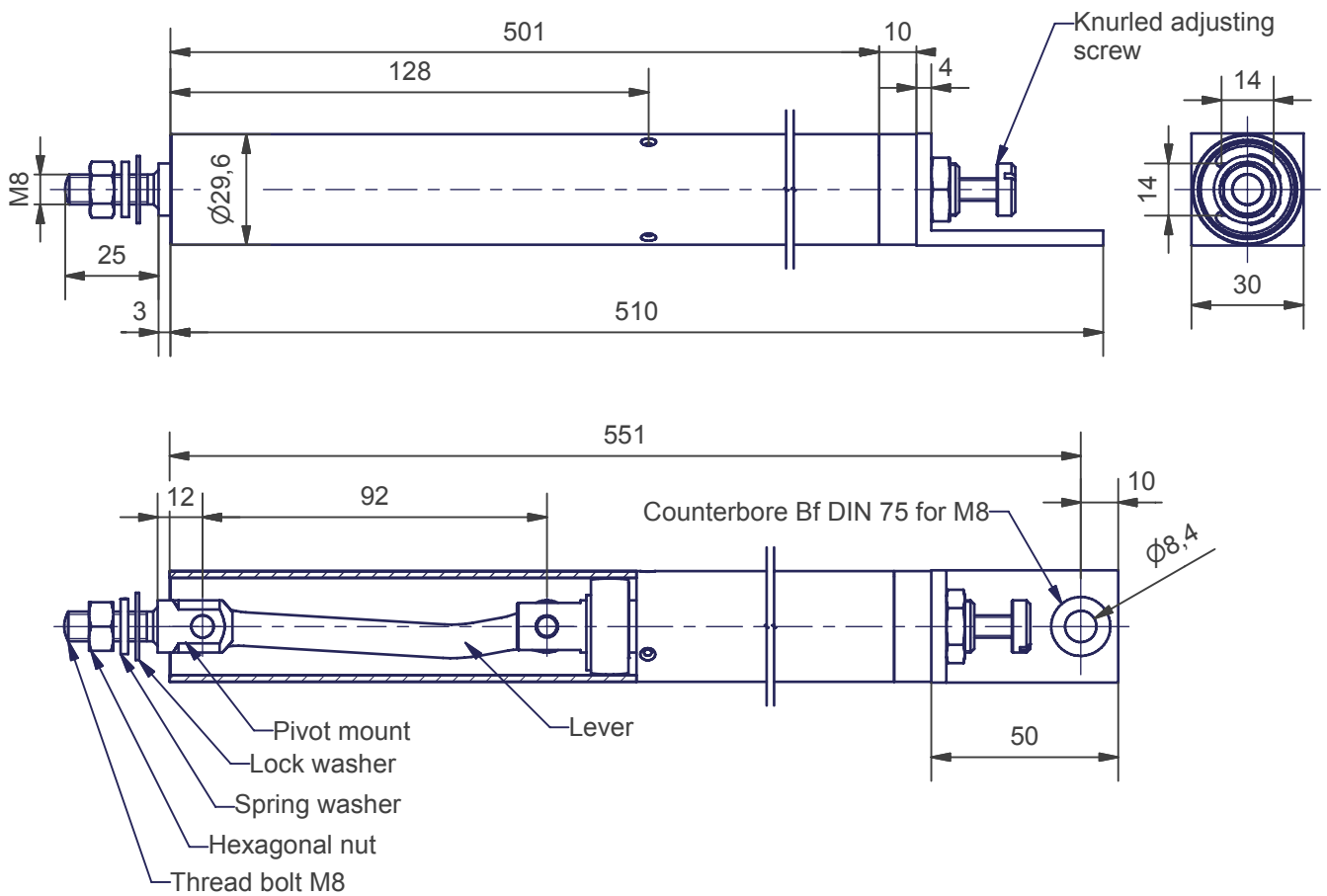
Specification	Automatic door closer with hydraulic damping
Application	Left or right hinged lift doors with tapping bands
Mounting	In a recess of the door's bottom (look at the following mounting instructions)
Opening force	22 N (applied to 1m radius)
Closing force	11 N (applied to 1m radius)
Door width	1000 mm max
Opening angle	165°
Ambient temperature	-15 °C up to +40 °C
Weight	2,07 kg



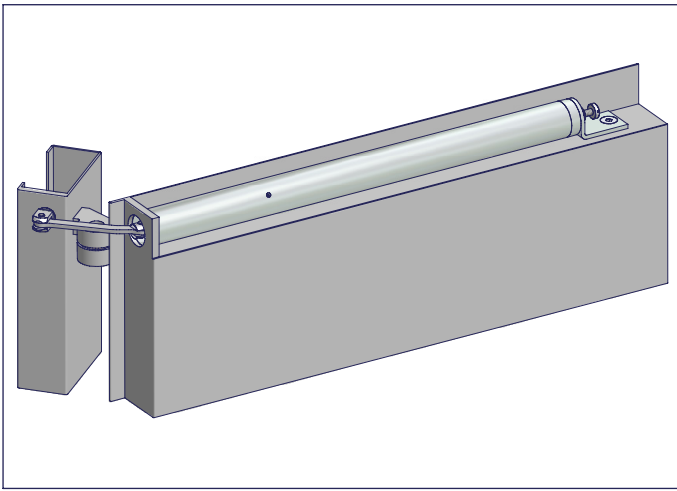
ATS-600-30-0

SCHNETZ

Door closer



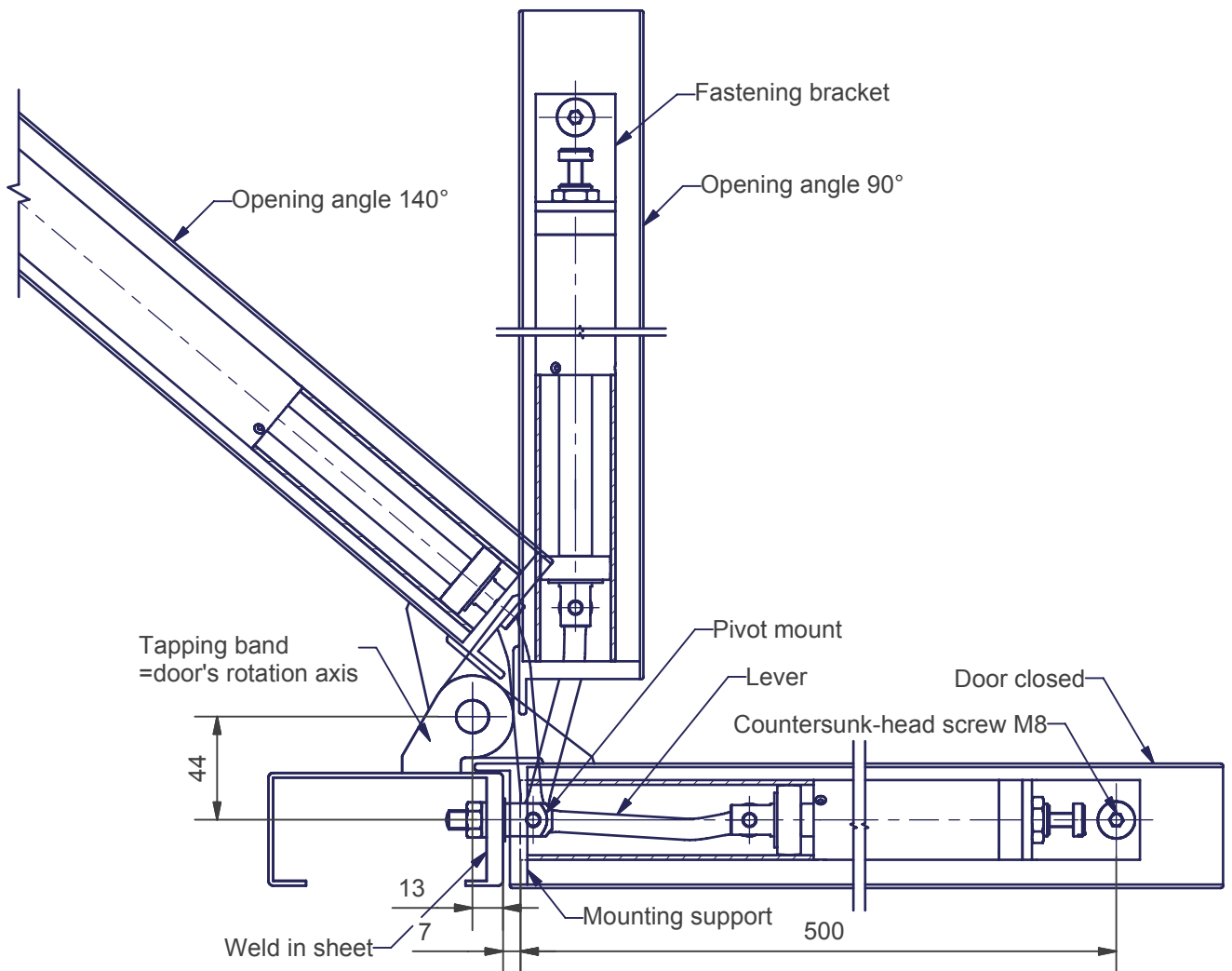
Specification	Automatic door closer with hydraulic damping
Application	Left or right hinged lift doors with tapping bands
Mounting	In a recess along the top edge of the door (look at the following mounting instructions)
Opening force	33 N (applied to 1m radius)
Closing force	16 N (applied to 1m radius)
Door width	1200 mm max
Opening angle	150°
Ambient temperature	-15 °C up to +40 °C
Weight	1,73kg



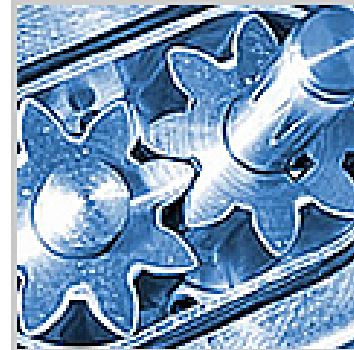
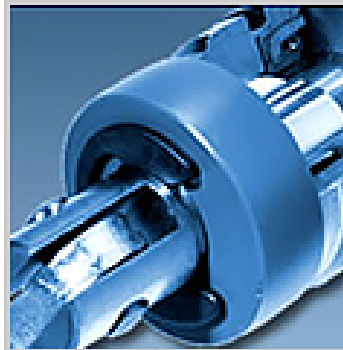
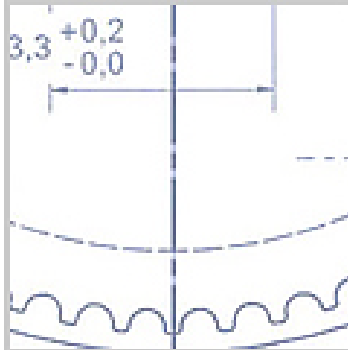
Mounting instructions

ATS-600-0
ATS-600-30-0

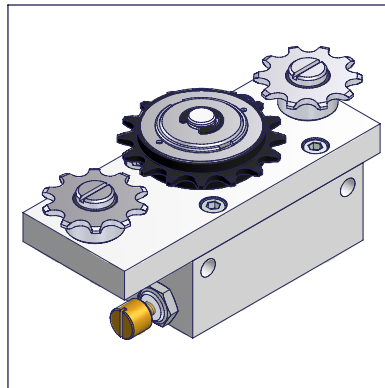
SCHNETZ



Fixation of tube	With countersunk-head screw M8 at fastening bracket and mounting support at open end of tube
Fixation of pivot mount	Turn pivot mount with an open-end wrench, size 14 until it's slot lies horizontal and the lever's knee points away from the door's rotation axis. Close the door slowly while putting the thread bolt M8x24 with its lock washer into the drill hole $\varnothing 8,2$ of the weld in sheet. Put the hexagon nut with its spring washer on the thread bolt, while the door is closed and fasten it just moderate. Caution: lever must not pervert.
Start up	Open the door carefully as far as you catch hold of the pivot mount with the open end wrench, size 14. After that fasten the hexagonal nut $20\text{Nm} \pm 2\text{Nm}$ firmly.
Adjustment	Regulate the final damping by turning the knurled adjusting screw at the end of the cylinder.

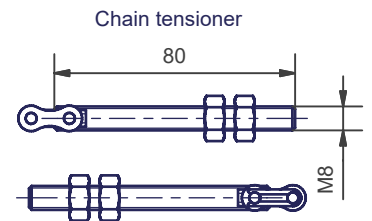
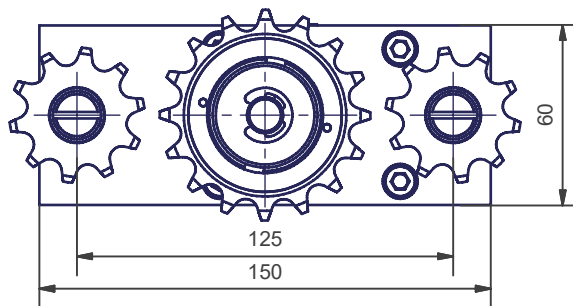
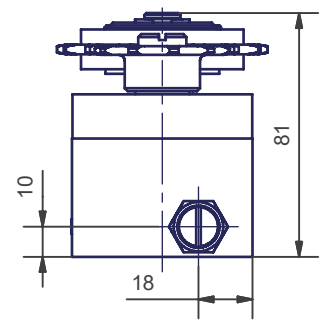
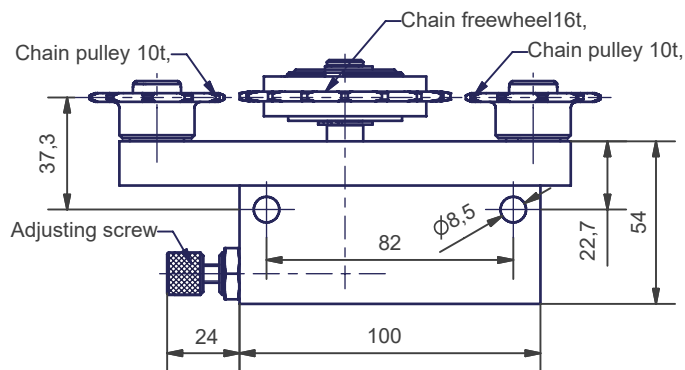
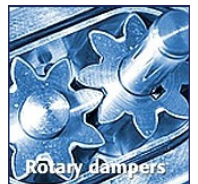


Speed control of fire resistant doors and gates

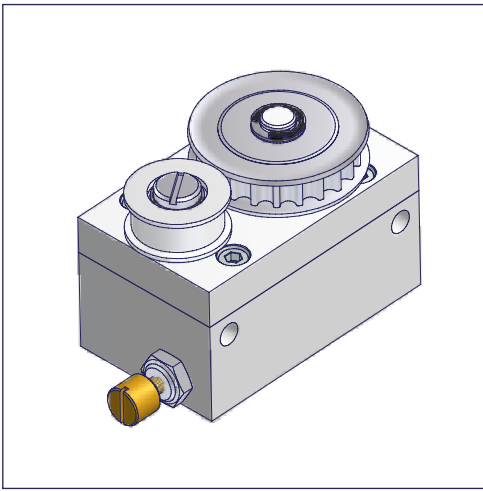


LR36-002

SCHNETZ

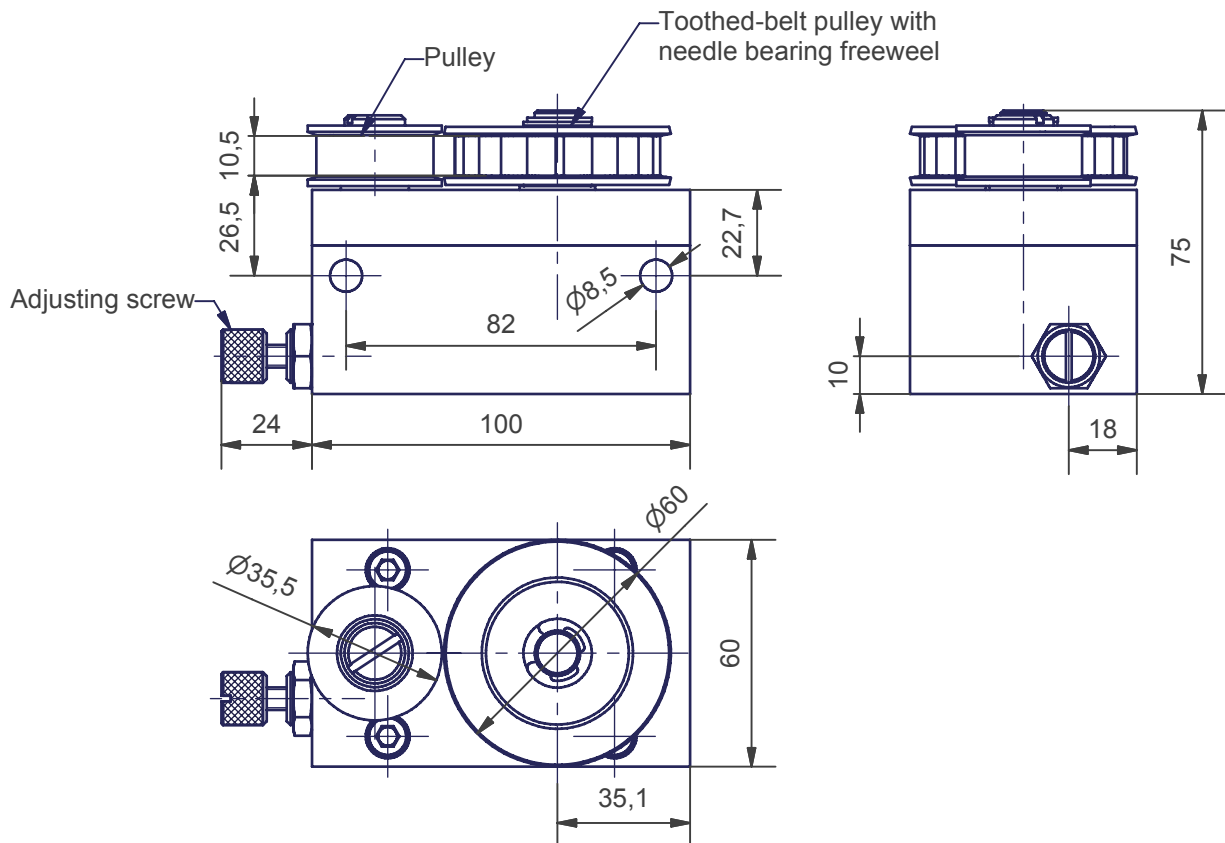


Order number	LR-36
Max. tractive force	400 N (on chain)
Max. tensile force	100 N (on chain)
Max. lateral force	800 N (on shaft)
Break-free force	5 N
Max. rated speed	0,4 m/s
Nominal speed	0,08 m/s up to 0,2 m/s (fire-protection doors)
Max. tightening torque	24 Nm (M8 fastening screw)
Ambient temperature	-15 °C up to +40 °C
Max. operating temperature	50 °C
Weight	1.45 kg
Test number	MPA NRW DO 15.2 P-120003309
Braking action	Clockwise or anticlockwise by turning over the chain freewheel
Chain freewheel	16t, eff. diameter 65, for 1/2"x1/8" roller chain



LR36-K-191

SCHNETZ



Order number	LR-36-K-191
Max. tractive force	400 N (on toothed belt)
Max. tensile force	400 N (on toothed belt)
Max. lateral force	800 N (on shaft)
Break-free force	5N
Max. speed	0,4 m/s
Nominal speed	0,08 m/s up to 0,2 m/s (fire-protection doors)
Max. tightening torque	24 Nm (M8 fastening screw)
Ambient temperature	-15 °C up to +40 °C
Max. operating temperature	50 °C
Weight	1,08 kg
Test number	MPA NRW DO 15.2 P-120003309
Braking action	Clockwise or anticlockwise by turning over the toothed-belt pulley
Toothed belt freewheel	22 t, eff. Diameter 56, for HTD 8M 9 toothed belt