

LOCKS FOR FIRE
RESISTANT DOORS .38

E N G L I S H



Valid from January 2022

ISEO[®]
ULTIMATE ACCESS TECHNOLOGIES

Certifications



Marcatura CE

214* e 216*

Reg. UE 305/2011 (CPR) e norma armonizzata EN12209

214E, 214F, 216E, 216F

Reg. UE 305/2011 (CPR) e norma armonizzata EN14846

Dir. UE 2014/30 (EMC), Dir. UE 2014/65 (RoHS)

214* e 212*

Reg. UE 305/2011 (CPR) e norma armonizzata

EN1125 in abbinamento a barre ISEO

EN1125 in abbinamento dispositivi PAD e maniglie ISEO



Marcatura UKCA

214* e 216*

Reg. UK 2019/465 (CPR) e norma armonizzata EN12209

214E

Dir. UK 2016/1091 (EMC), Dir. UK 2013/3032 (RoHS)

214* e 212*

Reg. UK 2019 No 465 (CPR) e norma armonizzata

EN1125 in abbinamento a barre ISEO

EN1125 in abbinamento dispositivi PAD e maniglie ISEO

216E* and 216F series electronic locks for fire-resistant door and 214E* and 214F* series electronic locks for fire-resistant panic exit doors



Description

Electronic locks contain an internal electronic circuit board controlling an actuator solenoid to allow the fire-resistant door to be included in an access control system. The lock fits directly into the recess of an existing and already certified fire-resistant door without requiring additional work to the door itself.

Main features

- Power feed controlled by preset 30 sec. timer
- Fail Secure and Fail Safe versions.
- Hold-open function.
- 12 -24 V AC/DC power supply, max. current absorption 350 mA.
- Backset 72 mm, case size 65 mm, 9 mm square spindle, 24x3 mm round-cornered faceplate, right and left handed locks.
- Microfit 3.0 Dual Row 4-pole female connector for power.
- Microfit 3.0 Dual Row 3-pole male connector for connection to external handle LED, where required.
- Pre-configured for connection to remote LED (not included) with 12V-24V AC/DC power (+/- 10%) and max. current absorption 10 mA, for remote notification of locked/unlocked status.

Operation of Fail Secure locks

Normally, when the door is closed, the dummy throw of the lock is engaged, the lock is not powered and the handle is disengaged from the lock. When the lock is powered by pressing a button, the timer function delivers power continuously to the lock for the preset period and keeps the handle engaged with the lock for approximately 30 seconds, after which the lock resets. If the lock is powered via electric contacts, the lock resets as soon as the door is opened. If the lock is powered directly by an interrupted cable routed through a cable grommet, the lock resets once the 30 second timer ends. Powering the lock continuously (from an on-off switch) activates the hold-open function without overheating the coil.

Operation of Fail Safe locks

Normally, when the door is closed, the dummy throw of the lock is engaged, the lock is continuously powered, the handle is disengaged from the lock and the operation of the solenoid is reversed. When power is interrupted by pressing a button, the handle is engaged with the lock for approximately 30 seconds, after which the lock resets, and the timer function delivers power continuously to the lock for the preset period without overheating the coil. If the lock is powered via electric contacts, the lock resets as soon as the door is opened. If the lock is powered directly by an interrupted cable routed through a cable grommet, the lock resets once the 30 second timer ends. Continuously keeping the lock unpowered (from an on-off switch) activates the hold-open function.

Mechanical operation

The key always unlocks the lock.
Disengaging the dummy throw with the key bypasses the solenoid and engages the handle mechanically with the lock.
Panic exit and emergency exit locks can always be opened mechanically from the inner push bar/handle.



Fail secure electronic lock for fire-resistant doors

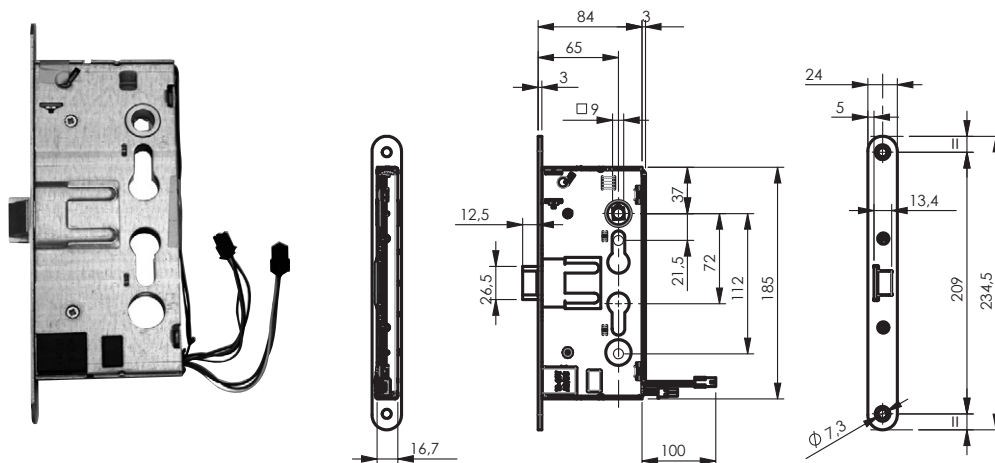


Code

Single
package

Multiple
package

Min. ord.



FAIL SECURE/FAIL SAFE ELECTRONIC LOCK FOR FIRE-RESISTANT DOORS (EXTERNAL HANDLE),

1 lateral latch point, latchbolt only.

12 -24 V AC/DC power supply, max. current absorption 350 mA.

30 sec time function enabling use of handle set. Hold-open function.

Pre-configured for connection to remote LED (not included) for remote notification of handle set enabled/disabled status.

Microfit 3.0 Dual Row 4-pole female connector for power.

Microfit 3.0 Dual Row 3-pole male connector for connection to external handle LED, where required.

Internal – external: latchbolt controlled by key or handle, when mechanically enabled or when electrically powered.

24x3 mm round-cornered faceplate in zinc plated steel. 9 mm one-piece square spindle. Backset 72 mm. Case size 65 mm. Single pack.

Accessories to be ordered separately:

Power cable with Microfit 3.0 Dual Row 4-pole connector, art. 0000A00039 7 m, art. 0000A00095 3 m.

0324* and 0325* series fire resistant handles.

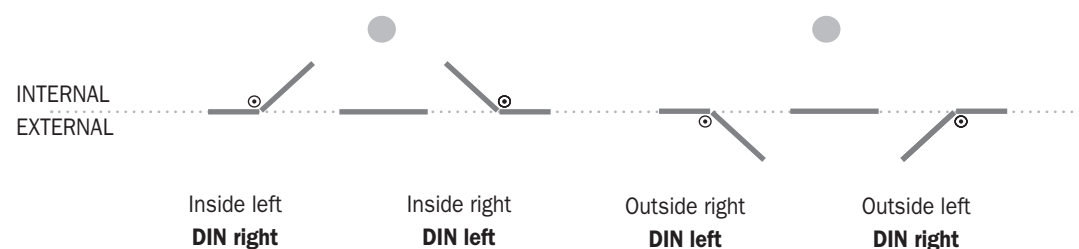
FAIL SECURE

DIN Right-handed	216E30654.5D	1	10	10
DIN Left-handed	216E30654.5S	1	10	10

FAIL SAFE lock continuously powered

DIN Right-handed	216F30654.5D	1	10	10
DIN Left-handed	216F30654.5S	1	10	10

Doors opening direction.





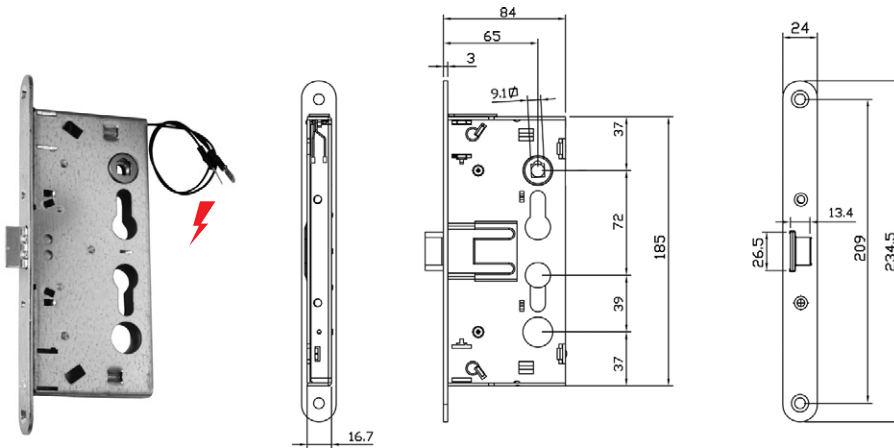
Code

Single
package

Multiple
package

Min. ord.

Electric locks for fire resistant doors



LOCK FOR FIRE RESISTANT DOORS 12V AC/DC.

(EXTERNAL HANDLE). 1 lateral point, latchbolt only.
Handle follower enabled during electric pulse only.

Internal - external: the cylinder enables and disables the panic handle.

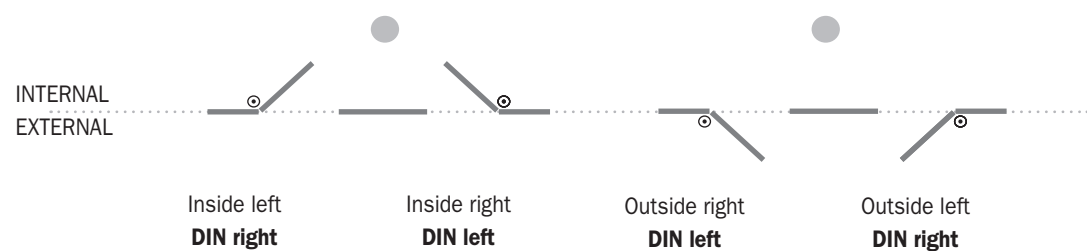
Front plate rounded, mm 24x3, zinc-plated.

One-piece handle follower mm 9. Distance mm 72. Backset mm 65.

Single packaging

DIN Right-handed	216930654.5D	1	10	10
DIN Left-handed	216930654.5S	1	10	10

Doors opening direction.





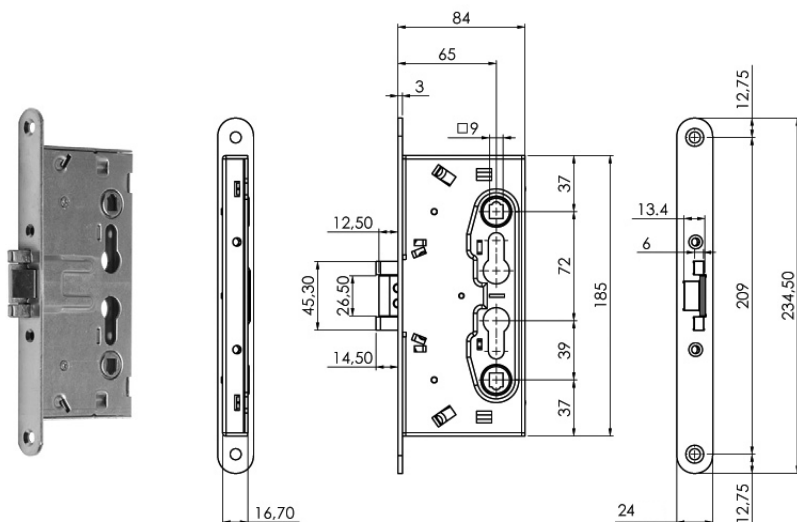
Code

Single
package

Multiple
package

Min. ord.

Locks for fire resistant doors



LOCK FOR LEFT- AND RIGHT-HANDED FIRE RESISTANT DOORS.

1 lateral point, deadbolt and latchbolt.

External and internal: the key operates both the deadbolt and latchbolt, the handle operates the latchbolt only.

Front plate rounded, mm 24x3, zinc-plated.

One piece handle one-piece follower mm 9. Distance mm 72. Backset mm 65.

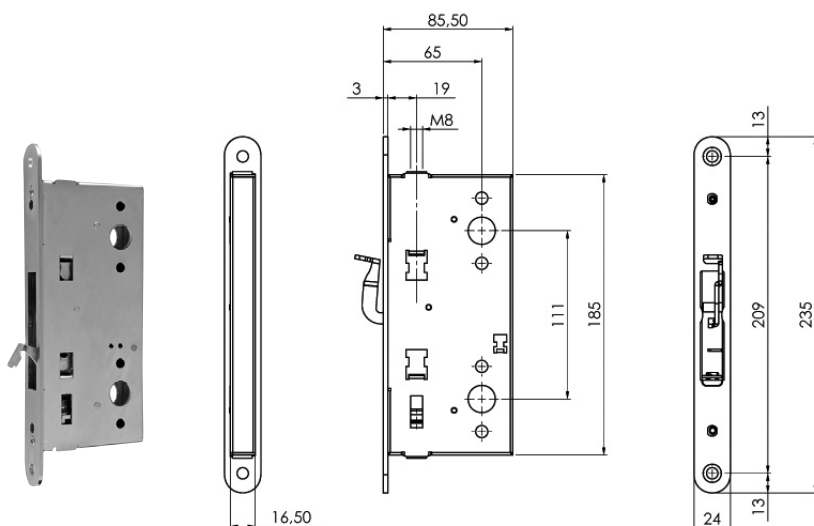
Single packaging

216120654

1

10

10



COUNTERLOCK FOR LEFT- AND RIGHT-HANDED FIRE RESISTANT DOORS.

FLUSH BOLT function for secondary leaf. **Operation: rods operated by lever on front plate.**

Front plate rounded, mm 24x3, zinc-plated. The threaded rods are connected to the lock by screwing them inside the self fixing connection nut. Rods projection mm 17.

Backset mm 65.

Usable with locks 216***, 214***.

Single packaging

212000654

1

10

10



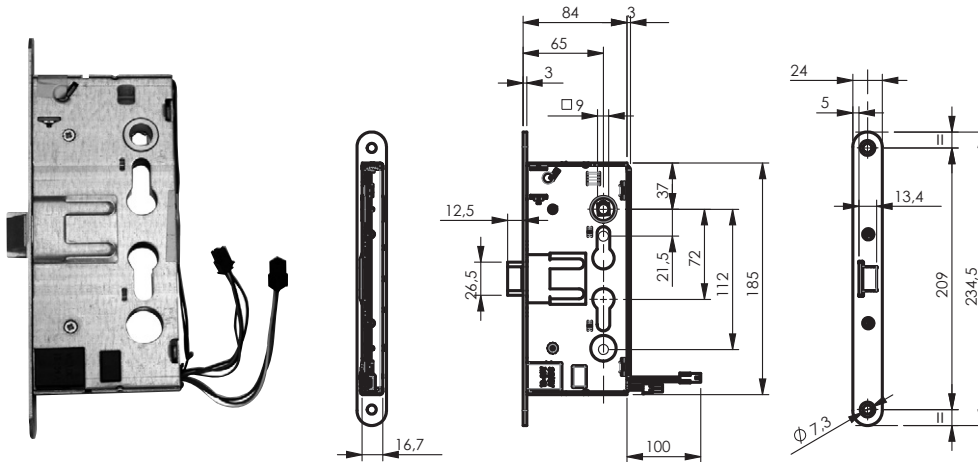
Code

Single
package

Multiple
package

Min. ord.

Fail secure / fail safe electronic locks for fire-resistant panic exit doors



FAIL SECURE / FAIL SAFE ELECTRONIC LOCKS FOR FIRE-RESISTANT PANIC EXIT DOORS (EXTERNAL HANDLE)

1 lateral latch point, latchbolt only. 12 -24 V AC/DC power supply, max. current absorption 350 mA. 30 sec time function enabling use of external handle set. Hold-open function. Pre-configured for connection to remote LED (not included) for remote notification of handle set enabled/disabled status. Microfit 3.0 Dual Row 4-pole female connector for power.

Microfit 3.0 Dual Row 3-pole male connector for connection to external handle LED, where required. Inside: latchbolt controlled by panic exit bar Outside: latchbolt controlled by key or handle, when mechanically enabled or when electrically powered (Secure) or unpowered (Safe). 24x3 mm round-cornered faceplate in zinc plated steel. 9 mm split square spindle. Backset 72 mm. Case size 65 mm. Single pack.

Accessories to be ordered separately:

Power cable with Microfit 3.0 Dual Row 4-pole male connector, art. 0000A00039 7 m, art. 0000A00095 3 m.

0324* and 0325* series fire resistant handles..

9490000*0379, 9449***839 series panic exit bars.

Locking mechanism 94G0000**379.

FAIL SECURE

DIN Right	214E10654..D	1	10	10
DIN Left	214E10654..S	1	10	10

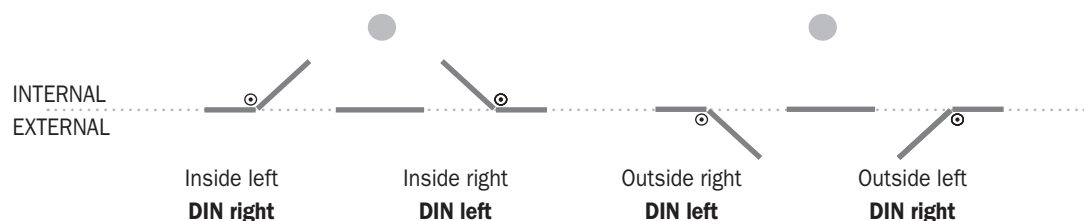
FAIL SECURE reversible latch for inward-opening emergency doors

DIN Right	214E10654.CD	1	10	10
DIN Left	214E10654.CS	1	10	10

FAIL SAFE lock continuously powered

DIN Right	214F10654..D	1	10	10
DIN Left	214F10654..S	1	10	10

Doors opening direction.





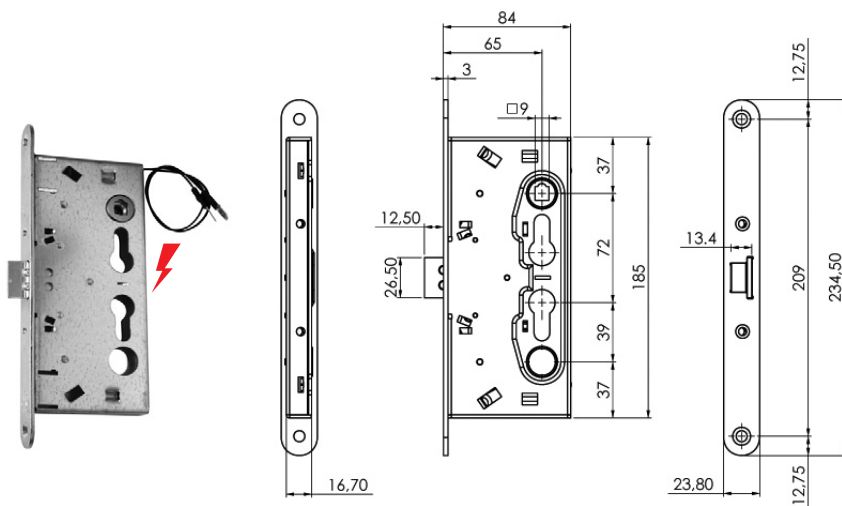
Code

Single
package

Multiple
package

Min. ord.

Panic exit electric mortise locks



ELECTRIC LOCK FOR FIRE RESISTANT PANIC EXIT DOORS 12V ac/dc. Electrical absorption 860 mA.

(EXTERNAL HANDLE). 1 lateral point, latchbolt only. Opening with external handle enabled during electric pulse only.

For the “hold-open device” feature, the hold voltage must not exceed 7V ac.

Internal: latchbolt operated by the panic exit device.

External: latchbolt operated by the handle only if enabled by the key or during electric pulse.

Front plate rounded, mm 24x3, zinc-plated.

94C0000*379, 9490000*0379, 94F0****379, 9449****5839 series panic exit bars.

Locking mechanism 94G0000**379.

Single packaging

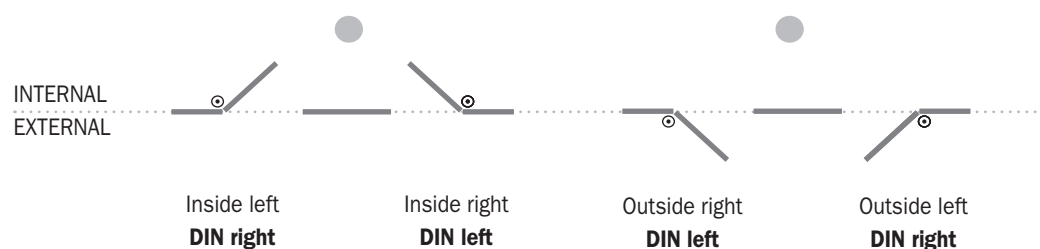
DIN Right-handed	214910654..D	1	10	10
DIN Left-handed	214910654..S	1	10	10

Reversed latchbolt.

Pull emergency door.

DIN Right-handed	214910654.CD	1	10	10
DIN Left-handed	214910654.CS	1	10	10

Doors opening direction.





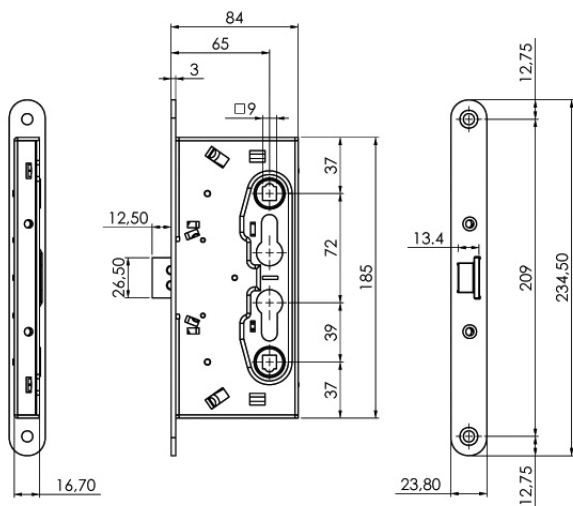
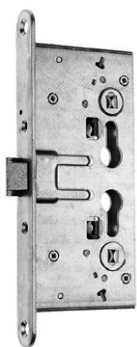
Code

Single
package

Multiple
package

Min. ord.

Panic exit mortise locks



LOCK FOR LEFT- AND RIGHT- HANDED FIRE RESISTANT PANIC EXIT DOORS (EXTERNAL HANDLE). 1 lateral point, latchbolt only.

Internal: latchbolt operated by the panic exit device, by the handle or by the key.

External: latchbolt operated by the key and by the handle only if enabled by the key.

Front plate rounded, mm 24x3, zinc-plated. Panic exit two-piece follower mm 9 (Panic function B). Distance mm 72. Backset mm 65.

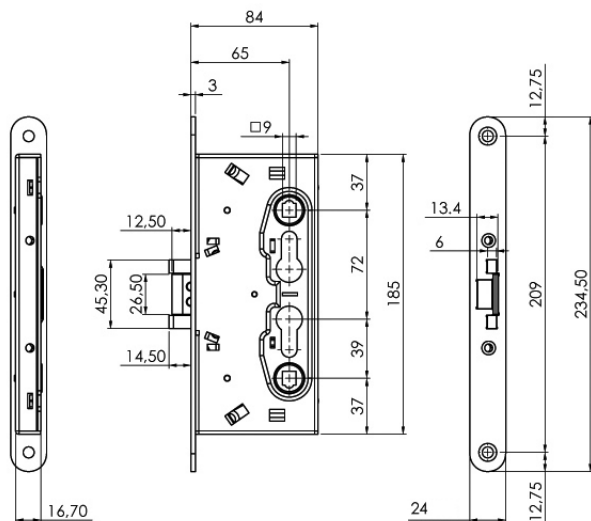
94C0000*379, 9490000*0379, 94F0*****379, 9449****5839 series panic exit bars.

Locking mechanism 94G0000**379.

Single packaging **214110654** 1 10 10

Reversed latchbolt. Pull emergency door.

Single packaging **214110654.C** 1 10 10



LOCK FOR LEFT- AND RIGHT-HANDED FIRE RESISTANT PANIC EXIT DOORS (EXTERNAL FIXED KNOB). 1 lateral point, deadbolt and latchbolt.

Internal: deadbolt and latchbolt operated by the panic exit device, by the handle or by the key.

External: the key operates both the deadbolt and the latchbolt.

Front plate rounded, mm 24x3, zinc-plated. Panic exit one-piece follower mm 9 (Panic function E). Distance mm 72. Backset mm 65.

94C0000*379, 9490000*0379, 94F0*****379, 9449****5839 series panic exit bars..

Locking mechanism 94G0000**379.

Single packaging **214140654** 1 10 10



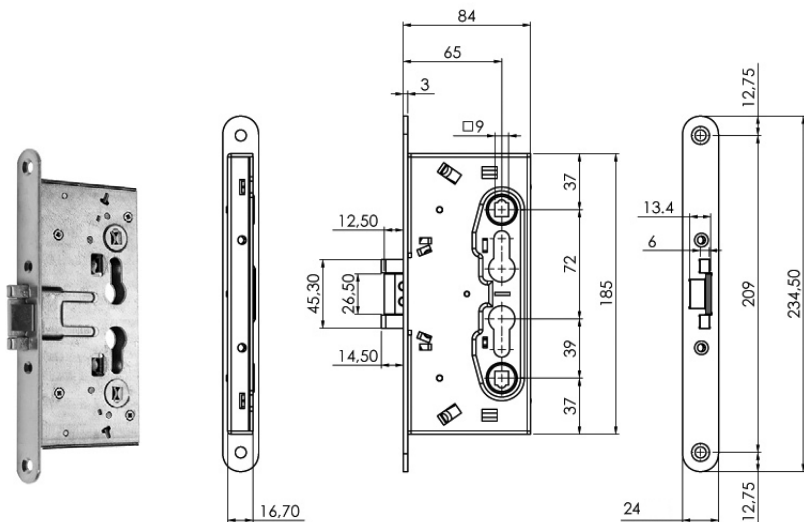
Code

Single
package

Multiple
package

Min. ord.

Panic exit mortise locks



LOCK FOR LEFT- AND RIGHT-HANDED FIRE RESISTANT PANIC EXIT DOORS

(EXTERNAL HANDLE). 1 lateral point, deadbolt and latchbolt.

Internal: deadbolt and latchbolt operated by the panic exit device, by the handle or by the key.

External: the key operates both the deadbolt and the latchbolt, handle operates latchbolt only.

Front plate rounded, mm 24x3, zinc-plated.

Panic exit two-piece follower mm 9 (Panic function D). Distance mm 72. Backset mm 65

94C0000*379, 9490000*0379, 94F0****379, 9449****5839 series panic exit bars.

Locking mechanism 94G0000**379.

Single packaging

214120654

1

10

10



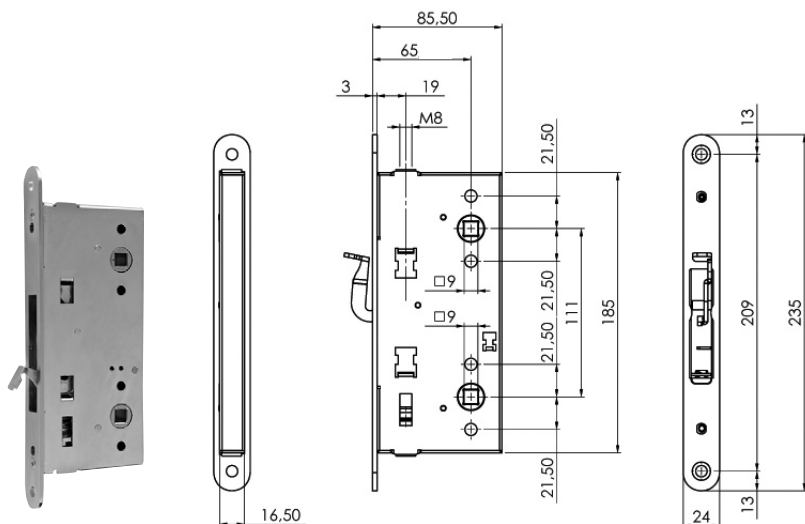
Code

Single
package

Multiple
package

Min. ord.

Panic exit counterlocks



COUNTERLOCK FOR FIRE RESISTANT PANIC EXIT DOORS.

NO HANDING, DOUBLE OPERATION (OVERTURNED)

FLUSH BOLT and **PANIC EXIT** function for secondary leaf. **Operation: the panic exit device operates the rods and releases the latchbolt of the lock in the main leaf, the lever on the front plate operates the rods.** Front plate rounded, mm 24x3, zinc-plated. The threaded rods are connected to the lock by screwing them inside the self fixing connection nut.

Rods projection mm 17. Backset 65 mm.

94C0000*379, 9490000*0379, 94F0****379, 9449****5839 series panic exit bars.

Locking mechanism 94G0000**379.

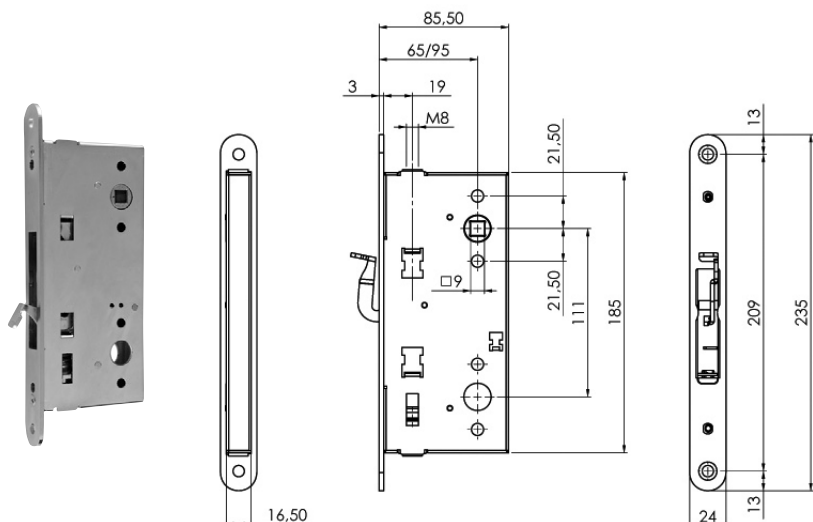
Single packaging

212600654

1

10

10



COUNTERLOCK FOR FIRE RESISTANT PANIC EXIT DOORS.

NO HANDING, SINGLE OPERATION (NO OVERTURNED)

FLUSH BOLT and **PANIC EXIT** function for secondary leaf. **Operation: the panic exit device operates the rods and releases the latchbolt of the lock in the main leaf, the lever on the front plate operates the rods.** Front plate rounded, mm 24x3, zinc-plated. The threaded rods are connected to the lock by screwing them inside the self fixing connection nut.

94C0000*379, 9490000*0379, 94F0****379, 9449****5839 series panic exit bars.

Locking mechanism 94G0000**379.

Single packaging

212700654

1

10

10

DINFIR3 Locks for 2D series* emergency exits and fire-resistant doors



Description

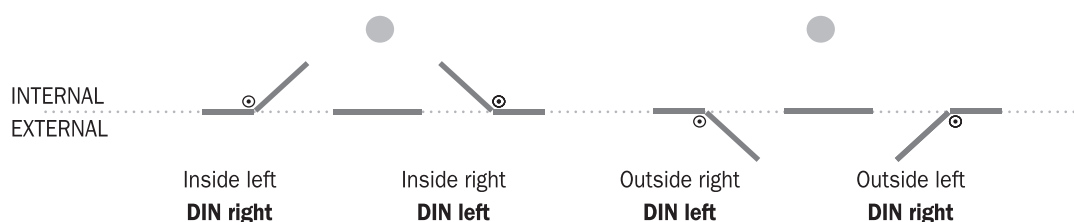
DINFIR3 Locks are mainly produced for fire-resistant doors and escape routes, in compliance with DIN 18251- EN 12209 - panic device KIT EN1125 - EN179

The range consists of the following models:

Standard and panic device versions, single and multi-point lateral locking versions, double door locking/opening systems, and double door panic locking/opening systems.

Main features:

- Lock with latch and deadbolt, 72 mm center distance.
- Wide range of Backsets (depending on the model).
- Zinc plate with round edge (square edge also available), 24x3 mm (20x3 mm also available), zinc plated steel (RAL 7035 grey or stainless steel also available).
- Right or left hand opening in accordance with DIN107.
- Zinc plated steel lock case and keyhole cover, nickel-plated sintered steel latch, nickel-plated zamak deadbolt, lock case closed on all sides.
- The lock casing and cover overlap in the 3 points of union with the faceplate, making the lock extremely solid, especially when pushed from the side (break-in attempt).
- The zinc plate can be unscrewed for replacement or a change of finish.
- Modularity of the range: if the zinc plate is changed (unscrewed) to the opposite hand and the latch is reversed, the lock hand changes too.
- Compatible with Euro profile cylinder, with DIN cam. Lock complying with DIN18251.



DINFIR3 Locks for 2D series* emergency exits and fire-resistant doors

Function		Use	Commands		Square	Functioning
E	Entrance from the outside with key	Outside doors only for authorized staff with a key	Inside	Open with panic bar and/or emergency handle.	Handle follower	Entry from the outside is allowed only with a key that operates the latch and the deadbolt.
			Outside	Key. Fixed knob available.		
B	Enabled or disabled external handle	Outside doors that open to the outside and places where it is necessary to program free access	Inside	Open with panic bar and/or emergency handle.	Split square spindle	Normally the external handle is enabled. Once operated the first throw with key (dummy throw), the external handle is disabled. Once operated the second throw with key (the deadbolts come out), the door is locked. After the panic opening from the inside, the external handle remains disabled. After turning the key in the direction of opening, the external handle is enabled, and extracting the key, the handle is disabled in the normal function.
			Outside	Independent handle. Key		
C	Automatically disabled external handle	Doors that must be opened from the outside only by authorized staff with a key and program free access for a supervisor	Inside	Open with panic bar and/or emergency handle. Key.	Split square spindle	Normally the external handle is enabled. Once operated the throws with key, the external handle is disabled, and the door is locked. After the panic opening from the inside, the external handle remains disabled. After turning the key in the direction of opening, without extracting it, the external handle is enabled, and extracting the key, the external handle is disabled in the normal function.
			Outside	Independent handle. Key.		
D	Always enabled external handle	Doors that divide passageways (e.g. corridors)	Inside	Open with panic bar and/or emergency handle. Key	Split square spindle	Normally the external handle is enabled. Once operated the throw with key (the deadbolts come out), the external handle is disabled, and the door is locked. After the panic opening from the inside, the handle remains enabled in the normal function (the enabled/disabled handle is bound to the outside/inside deadbolt).
			Outside	Independent handle. Key		



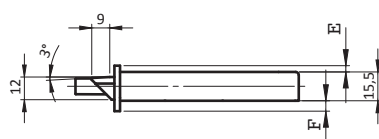
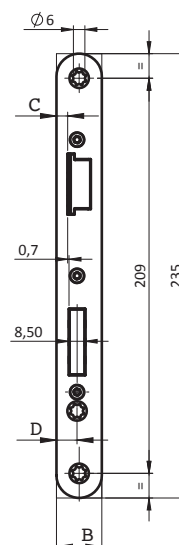
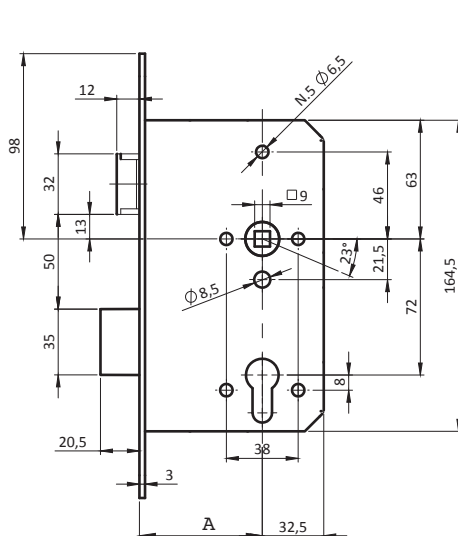
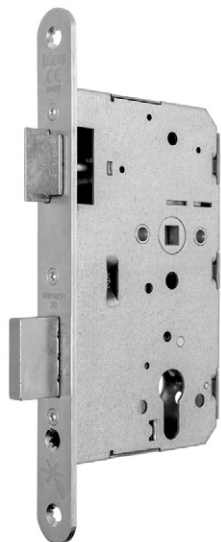
Code

Single
package

Multiple
package

Min. ord.

DINFIR3 locks with double throws



A	B	C	D	E	F
55 - 60 - 65 - 80 - 100	20	3.45	8.4	0.8	4
	24	5.95	10.9	3.3	5.5

DINFIR3 LOCK WITH DOUBLE THROWS:

Lock complies with DIN18251 for fire-resistant doors.

Lock with latch and deadbolt.

Indoor/outdoor operation: The key operates the deadbolt (double throws) and retracts the latch, the handle retracts the latch. 72 mm center distance.

9 mm sintered steel handle set with 23° rotation. 20 mm deadbolt, with double throws (10+10 mm).

Zinc plate with round edge (square edge also available), 24x3 mm (20x3 mm also available), zinc plated steel (RAL 7035 grey or stainless steel also available)

Compatible with European profile cylinder, with DIN cam to be ordered separately.

Matching accessories to be ordered separately:

Zinc plate with round edge (square edge also available), 24x3 mm (20x3 mm also available), zinc plated steel (RAL 7035 grey or stainless steel also available) 038650*

Handles for 0324* and 0325* series fire-resistant doors.

For any options please contact ISEO.

Backset mm 55 DIN RS	2D11115514.4	1	10	10
Backset mm 60 DIN RS	2D11116014.4	1	10	10
Backset mm 65 DIN RS	2D11116514.4	1	10	10
Backset mm 80 DIN RS	2D11118014.4	1	10	10
Backset mm 100 DIN RS	2D11111014.4	1	10	10
Backset mm 55 DIN LS	2D11115524.4	1	10	10
Backset mm 60 DIN LS	2D11116024.4	1	10	10
Backset mm 65 DIN LS	2D11116524.4	1	10	10
Backset mm 80 DIN LS	2D11118024.4	1	10	10
Backset mm 100 DIN LS	2D11111024.4	1	10	10



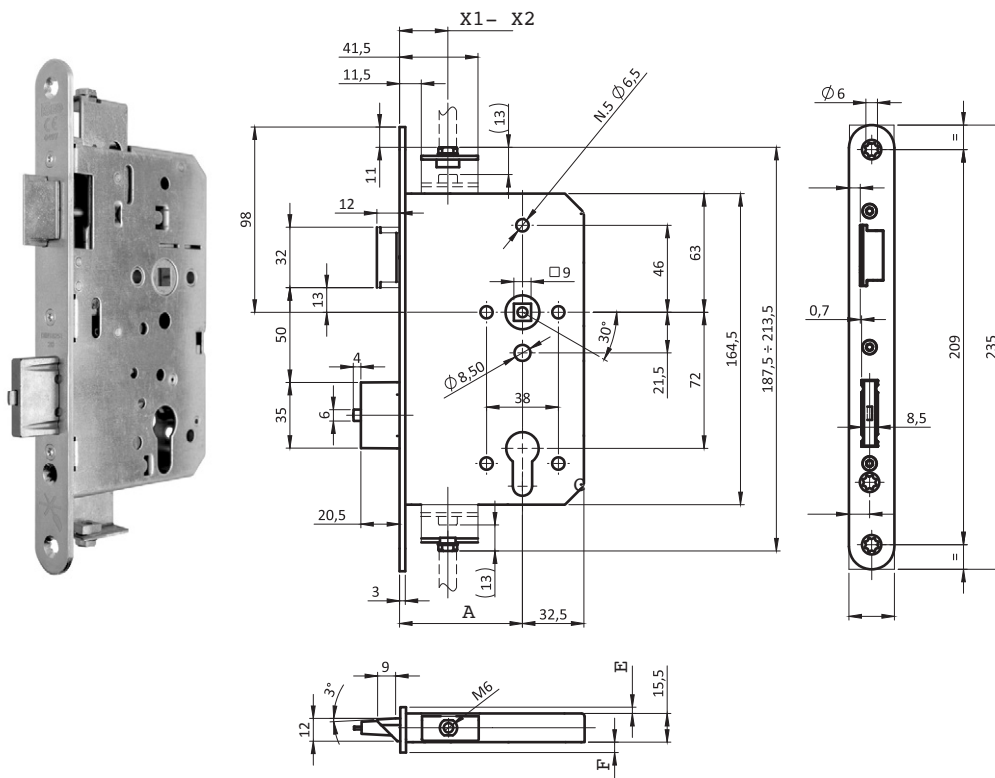
Code

Single
package

Multiple
package

Min. ord.

DINFIR3 3 point panic locks for 1 or 2 leaves doors



	Codice differente	
	X1	X2
A		
65	19.5	25.5
80	19.5	25.5
100	19.5	25.5

B	C	D	E	F
20	3.45	8.4	0.8	4
24	5.95	10.9	3.3	5.5

3 latch panic lock for 1 or 2 leaves fire-resistant doors

Operating the bars:

The latch and the bars are directly linked.

The upper and lower bars are retracted when the latch is retracted and are released when the latch is released.

Internal operation:

The key operates the deadbolt. The panic bar and/or handle always retract the latch and deadbolt

External operation:

The key operates the deadbolt and retracts the latch (function E).

The key operates the deadbolt and enables the handle (functions B, C, and D). The handle retracts the latch (functions B, C, and D).

Panic function C also available.

Center distance 72 mm, Bar shaft (Triple) 19.5 mm (25.5 mm also available). 13 mm stroke, coupling for M6 rods.

9 mm sintered steel handle set with 30° rotation. 20 mm deadbolt, single throw.

Zinc plate with round edge (square edge also available), 24x3 mm zinc plate (20x3 mm also available), zinc plated steel (RAL 7035 grey or stainless steel also available)

Reverse latch for inward opening emergency doors.

Compatible with European profile cylinder, with DIN cam to be ordered separately.

MATCHING ACCESSORIES to be ordered separately

2D7* series counter locks, for closing/opening the secondary leaf. Flat 24x3 mm strike plates (20x3 mm also available), zinc plated steel (RAL 7035 grey or stainless steel also available) 038650* .

Panic devices suitable for both 1 and 2 leaf configurations:

Palmo Type A (949* series)

For 1 leaf doors only. Not suitable for 2 leaf configuration:

Idea Base Infilare Type A (94C* series)

Push Infilare Type B (94F* series) - Push Palmo Type B (944* series)

Emergency Devices:

Lever handles 032* series

Pad Infilare 94G* series

For all options please contact ISEO.



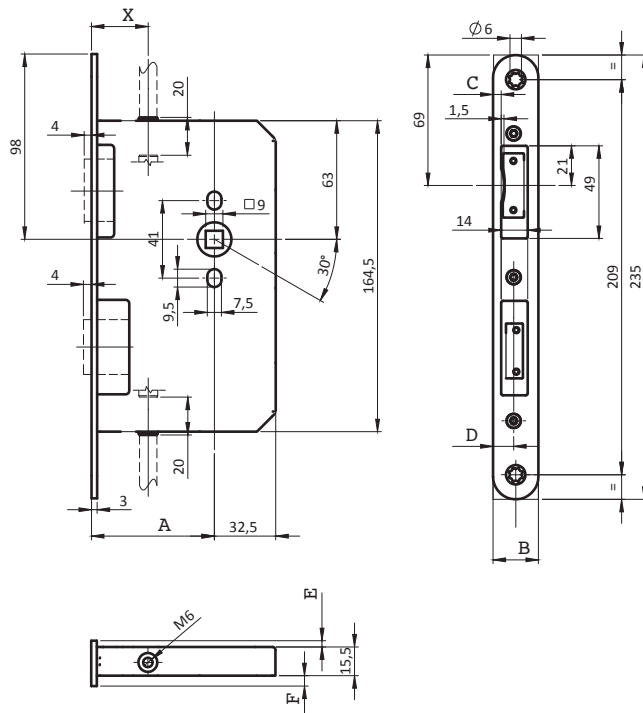
Code

Single
package

Multiple
package

Min. ord.

DINFIR3 panic locks



A	X
65	30
80	45
100	65

A	B	C	D	E	F
65 - 80 - 100	20	3	9.6	2	2.8
	24	4.3	10.9	3.3	5.5

Panic counter lock for opening/closing the secondary leaf of a 2 leaves fire-resistant door.

Operation: The counter lock receives and contains the latch and deadbolt of the anti panic lock on the main leaf. The panic exit bar releases the latch and deadbolt of the main door leaf's lock, and retracts the rods engaged in the bar stop at the top of the door. Closure takes place automatically: when the door leaf approaches the bar lock, the rods are released, thereby causing the counter lock to automatically close with the door leaf aligned. 20 mm bar stroke. 9 mm sintered steel handle set with 30° rotation.

Coupling for M6 rods.

Zinc plate with round edge (square edge also available), 24x3 mm (20x3 mm also available), zinc plated steel (RAL 7035 grey or stainless steel also available)

MATCHING ACCESSORIES to be ordered separately:

Bar lock and relative spacers 032144...1, 0327*.

Pair of rods with relative tips 032314. Upper or floor-level strike plates.0321*.

Panic exit devices:

Palmo Type A (949* series), Push Palmo Type B (944* series), Idea Base Infilare Type A (94C* series), Push Infilare Type B (94F* series)

Emergency Devices:

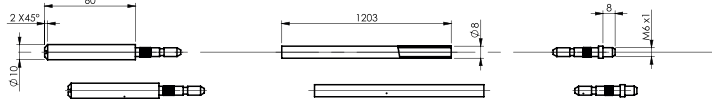
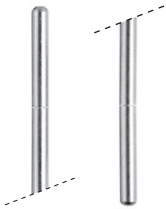
032* series lever handles, series 94G* Pad Infilare

For all options please contact ISEO.

Backset mm 65 DIN LS	2D70016524	1	10	10
Backset mm 80 DIN LS	2D70018024	1	10	10
Backset mm 100 DIN LS	2D70011024	1	10	10
Backset mm 65 DIN RS	2D70016514	1	10	10
Backset mm 80 DIN RS	2D70018014	1	10	10
Backset mm 100 DIN RS	2D70011014	1	10	10

Code
Confezione
singola
Confezione
multipla
Min. ord.

Accessories



M6 rod kit, complete with tips:


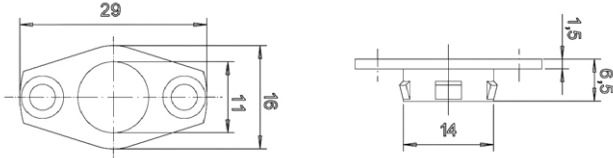

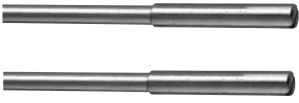
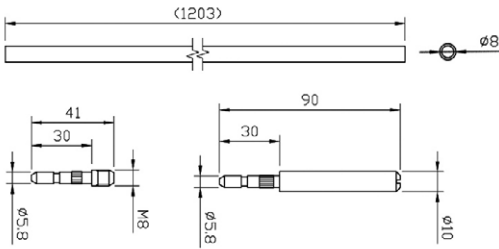

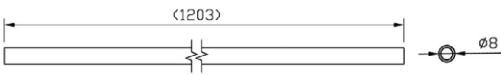
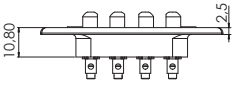
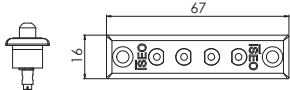
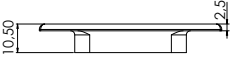
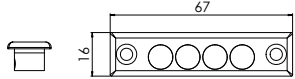
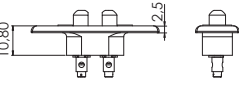
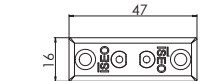
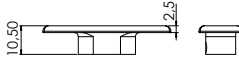
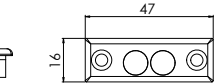
032314 1 10 10



Counter plates 24 x 3 mm (20 x 3 mm also available)

ZN steel (stainless steel or RAL 7035 GREY also available) Round edge (square edge also available)

RH	03865014	1	10	10
LH	03865024	1	10	10

	Code	Single package	Multiple package	Min. ord.
Accessories				
 	032174	-	10	10
 <p>Steel plate for bottom rod hasp, to be fixed on reversible secondary leaves</p>	032704	-	10	10
 	032184	1	-	1
 	0321A4	1	-	1
 	050066	-	50	50
 	050067	-	50	50
 	050068	-	50	50
 	050069	-	50	50

ENDUR4NCE

FIRE RESISTANT MORTICE TYPE



AVAILABLE FOR:

- IDEA BASE INFILARE
- PUSH INFILARE
- PALMO

ENDUR4NCE is synonymous with durability, even in particularly corrosive environmental conditions and in high traffic locations.

ENDUR4NCE also stands for strength and elegance. Installing panic exit devices with this new finish lends a touch of harmony and style to any environment, even the most elegant.

The distinctive visual appearance of this finish also contributes to accentuating the sense of robustness and **safety** of the door itself.

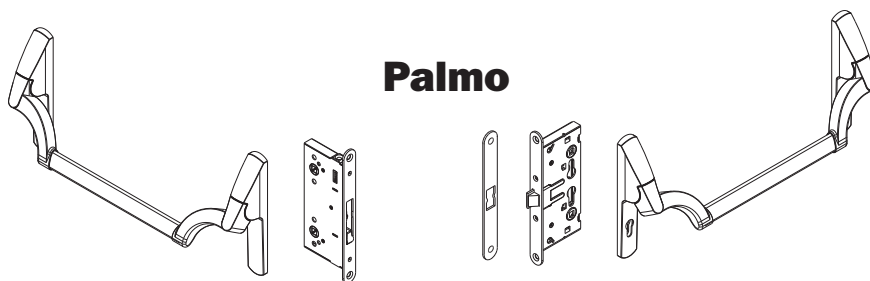
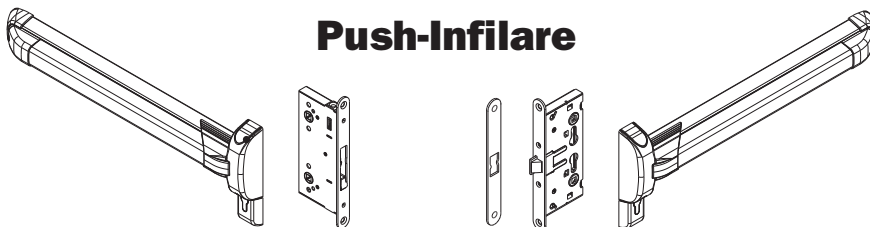
COMPLIANT WITH STANDARD
EN1125:2008

Mortice devices EN1125 and EN179

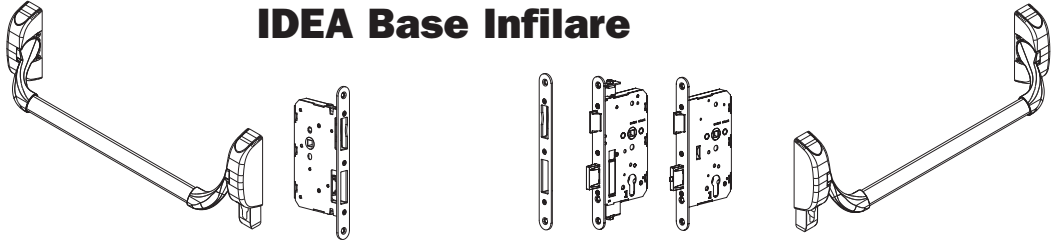


COMPLIANT WITH STANDARD **EN1125**

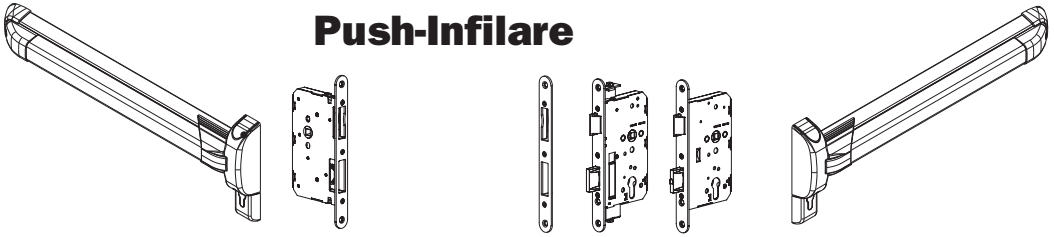
The CE marking demonstrating conformity with EC Regulation 305/2011 (CPR), is only valid if the bars described as follows are installed together with ISEO locks, strike plates, counter locks and accessories, as indicated in the respective AVCP and DoP certificates. In case of installation of certified bars together with locks, counterlocks, accessories and/or strike plates other than those indicated by ISEO, the purchaser is entirely responsible for ensuring conformity with the standard EN 1125.



IDEA Base Infilare



Push-Infilare



Palmo



Push-Palmo



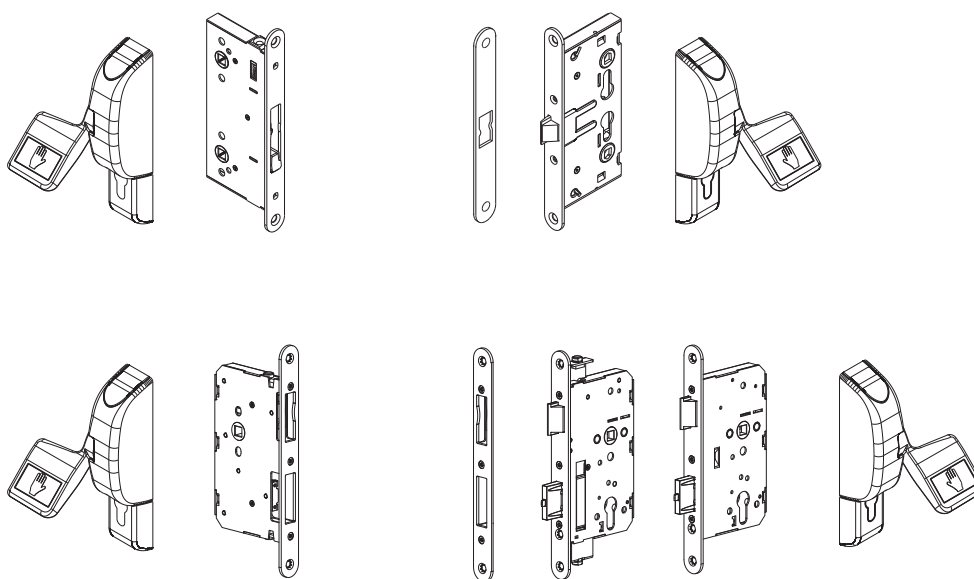
Mortice devices EN1125 and EN179



COMPLIANT WITH STANDARD **EN179**

The CE marking demonstrating conformity with EC Regulation 305/2011 (CPR), is only valid if the mechanisms described as follows are installed together with ISEO locks, strike plates, counter locks and accessories, as indicated in the respective AVCP and DoP certificates. In case of installation of certified mechanisms together with locks, counterlocks, accessories and/or strike plates other than those indicated by ISEO, the purchaser is entirely responsible for ensuring conformity with the standard EN 179.

Pad-Infilare





Code

Single package

Multiple package

Min. ord.



IDEA Base Infilare for main and secondary leaf



IDEA Base Infilare panic exit device for FIRE RESISTANT doors, **FOR MAIN AND SECONDARY LEAF, REVERSIBLE**, can be used with panic exit mortice locks and counterlocks with 9 mm handle follower. Center distance mm 72, with handle follower rotation **30°**.

Templates. Assembly instructions.

9 MM SQUARE SPINDLE NOT INCLUDED.

CE EN1125 marking. UKCA marking.

Accessories to be ordered separately:

Lock 2141**65* - 214910654*- Counterlock 2126**65* - Counterlock 2127**65*

DIN FIR3 panic exit locks series 2D7* 2DB* 2DC* 2DD* 2DE*

NOT for 2D*32* (triple lock for double doors)

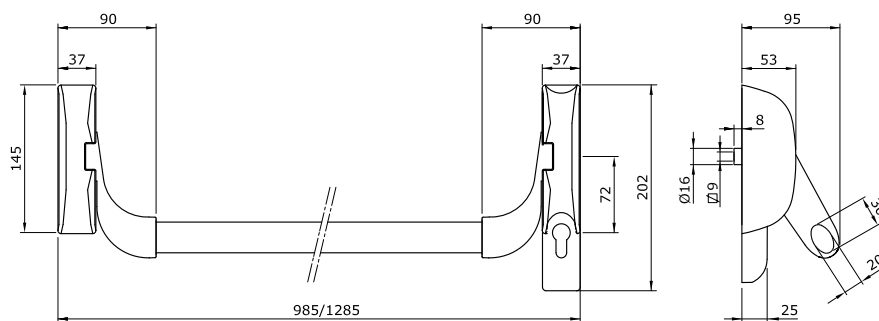
Oval bar 9459* - Striking plate 032094

Microswitch 94100160. Door handles 032*.

Square spindle 9479* - Accessories 0321*4

PVD finish	94C0000203791	1	-	1	NO
ENDUR4NCE finish	94C0000R03791	1	-	1	NO
Painted BLACK	94C0000503791	1	-	1	YES
Painted METAL GREY	94C0000703791	1	-	1	YES

Anti[™]
GERM : antibacterial protection





Code

Single package

Multiple package

Min. ord.



Palmo for main and secondary leaf



Palmo panic exit device for FIRE RESISTANT doors, **FOR MAIN AND SECONDARY LEAF, REVERSIBLE**, can be used with panic exit mortice locks and counterlocks with 9 mm handle follower. Center distance mm 72, with handle follower rotation **30°**. BLACK painted. Templates. Assembly instructions.

SQUARE SPINDLE NOT INCLUDED. CE EN1125 marking. UKCA marking.

Accessories to be ordered separately:

Lock 2141**65* - Counterlock 2126**65* - Counterlock 2127**65*

DIN FIR3 panic exit locks series 2D7* 2DB* 2DC* 2DD* 2DE*

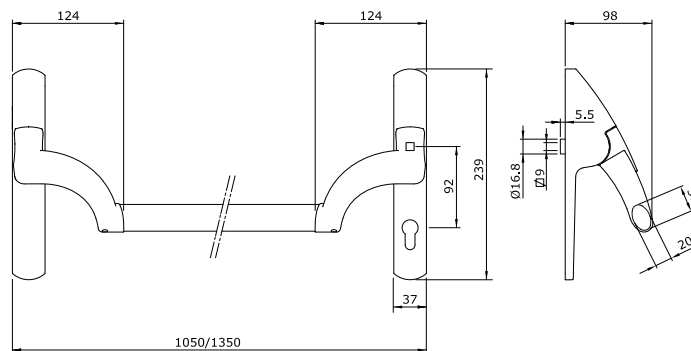
Oval bar 9459* - Striking plate 032094

Microswitch 94100160 - Door handles 032*

Square spindle 9479* - Accessories 0321*4

PVD finish	9490000203791	1	-	1	NO
ENDUR4NCE finish	9490000R03791	1	-	1	NO
Painted BLACK	9490000503791	1	-	1	YES
Painted METAL GREY	9490000703791	1	-	1	YES

Anti
GERM : antibacterial protection





Code

Single package

Multiple package

Min. ord.



Push-Infilare for main and secondary leaf



Infilare panic exit device for FIRE RESISTANT doors, **FOR MAIN AND SECONDARY LEAF, REVERSIBLE**, to be used with a panic exit mortice lock and counterlocks with 9 mm handle follower. **CENTER DISTANCE 72 MM** with handle follower rotation **30°**. Shortenable fixing plate allowing the assembly also without the cylinder. Templates. Assembly instructions. SQUARE SPINDLE NOT INCLUDED. CE EN1125 marking. UKCA marking.

Accessories to be ordered separately:

- Lock 2141**65* - 214910654*- Counterlock 2126**65*
- DIN FIR3 panic exit locks series 2D7* 2DB* 2DC* 2DD* 2DE*
- NOT for 2D*32* (triple lock for double doors)
- Counterlock 2127**65* - Striking plate 032094.
- Accessories 0321*4. - Microswitch 94400060 - Door handles 032*.
- Square spindle 9479*.

Length mm 840. Chassis and bar finish ENDUR4NCE	94F0084RR3791	1	-	1	YES
Length mm 840. Chassis and bar painted METAL GREY	94F0084773791	1	-	1	YES
Length mm 840. Chassis painted BLACK and bar painted BLACK	94F0084553791	1	-	1	YES
Length mm 840. Chassis painted BLACK and bar painted GREEN	94F00845V3791	1	-	1	YES
Length mm 840. Chassis painted BLACK and bar painted RED	94F0084583791	1	-	1	YES
Length mm 840. Chassis and bar painted WHITE	94F0084443791	1	-	1	YES
Length mm 1170. Chassis and bar finish ENDUR4NCE	94F0117RR3791	1	-	1	YES
Length mm 1170. Chassis painted BLACK and bar painted GREEN	94F01175V3791	1	-	1	YES
Length mm 1170. Chassis and bar painted METAL GREY	94F0117773791	1	-	1	YES
Length mm 1170. Chassis painted BLACK and bar painted RED	94F0117583791	1	-	1	YES
Length mm 1170. Chassis and bar painted WHITE	94F0117443791	1	-	1	YES
Length mm 1300. Chassis and bar finish ENDUR4NCE	94F0130RR3791	1	-	1	YES
Length mm 1300. Chassis and bar painted METAL GREY	94F0130773791	1	-	1	YES
Length mm 1300. Chassis painted BLACK and bar painted RED	94F0130583791	1	-	1	YES

Anti
GERM : antibacterial protection

