



**Multiblindo Easy**  
Automatic lock



## Multiblindo Easy

It is a Multiblindo by all means: same sizes and dimensions, same security level. But it is an all-new Multiblindo, **conceived with 3 different functions to be set by the end user.**

To use Multiblindo Easy you need to apply an external fixed knob or a pull handle; as a matter of fact, a “classic handle” would unlock the door (emergency function).



### It has been designed and tested

according to the European standard prEN 15685.  
It resists lateral forcing with a thrust of over 1,000 kg and a front load of over 600 kg.  
The corrosion resistance is more than 240 hours in a saline environment.  
Endurance: tested to over 200,000 opening and closing cycles under a 120N load.

Example of certification: lock Multiblindo Easy, models 7A32 – 7A34 – 7A36 – 7A38



### Locking.

The outstanding feature of Multiblindo Easy is the automatic locking of the latchbolt and deadbolts, which comes into operation when the door is pulled close to the door jamb. The end user may change the operating mode by switching the selector placed on the lock front plate. A special patented device allows the deadbolts to come out of the cases only when the latchbolt goes into the striking plate for at least 3 mm. The latchbolt aligns perfectly the wing to the door jamb; this operation ensures the best condition for the free movement of the deadbolts.



### Opening.

**Outside opening:** the deadbolts are unlocked with a single turn of the key in the opening direction; the latchbolt is unlocked with a further ¼ turn.

**Inside opening:** the deadbolts are unlocked with a single turn of the key in the opening direction; the latchbolt is unlocked with a further ¼ turn.  
Latchbolt and deadbolts are unlocked with 45° lever rotation.

### Lever block.

The lever operation inside is blocked with a single turn of the key in the closing direction. The operation is restored with single turn of key in the opposite direction. To avoid incorrect or accidental use, the lever block operation is only allowed when the deadbolts are completely locked. This also ensures that:

- deadbolts automatic locking is fully completed
- deadbolts connecting rod has been blocked (an attack on one of the deadbolts does not damage the others). As far as security is concerned, the lever block prevents the opening from inside if required, or from outside in the event of a door breaking (i.e. glass frame doors). In terms of safety it ensures a better exit control.



**Total “0” Deadbolts and latchbolt automatic locking**



**Light “1” Locking by latchbolt only**



**Free “2” Setting without locking** (it allows to set the hold-open function)



# Multiblindo Easy

**Nachweis einbruchhemmende Eigenschaften**  
Prüfbericht 212 39908

**if Rosenheim**

**Hersteller:** Hörmann KG Eckelhausen  
In der Bruchwiese 2  
66625 Nohfelden

**Produkt:** einbruchhemmende Tür mit festem Seitenteil  
**Bezeichnung:** TopPrestige

**Außenmaß (H x B):** 2300 mm x 2300 mm  
**Material, System:** Aluminium / Hörmann H20000, H21000, H25000  
**Art der Abgabe:** Schließzylinder/Schließzylinder nach DIN 107

**Umfang:** Drehfestigkeit nach innen  
**Klasse:** P4 A nach EN 256  
**Verriegelung:** Alupanel ohne Nachweis

**Bezeichnung:** Automatikschloss, Dreifachverriegelung mit Bolzen-, Hakenverriegelung, Typ Iso-Multiblock Hörmann-HK, Fa. Iso Serrature, Profizylinder Typ R6 Fa. Iso, Schutzblech Hörmann-HST, zwei zweiseitige Ränder Nr. 4, Fa. Dr. Walter Heilmann  
**Montage:** Gemäß der Montageanleitung der Firma Hörmann KG Eckelhausen  
**Schließzustand:** geschlossen, verriegelt und verschlossen

**Einbruchhemmung**  
**Widerstandsklasse 2**

**if Rosenheim**  
10. Dezember 2010

*Christian Weber*  
Prüfer: Christian Weber, Dipl.-Ing. 1976  
Prüfstandort: in Zantium Toren, Toren, Sicherheit

*Andreas Heilmann*  
Hersteller: Andreas Heilmann, Dipl.-Ing. 1976  
Prüfstandort: in Zantium Toren, Toren, Sicherheit

**if Rosenheim GmbH**  
Prüfstandort: in Zantium Toren, Toren, Sicherheit

**Technische Daten:**  
Prüfung: 212 39908  
Prüfung: 212 39908

**Hersteller:** Hörmann KG Eckelhausen  
Prüfung: 212 39908

**Hersteller:** Hörmann KG Eckelhausen  
Prüfung: 212 39908

**Hersteller:** Hörmann KG Eckelhausen  
Prüfung: 212 39908

The door fitted with a Multiblindo Easy lock and tested by the **German Institute IFT ROSENHEIM** passed **CLASS 2 test according to EUROPEAN STANDARD DIN V ENV 1627**

**EUROPEAN STANDARD DIN V ENV 1627.**  
All MULTIBLINDO series locks have obtained **GRADE 7** according to the security requirement **pr EN 15685.**

**VdS Zertifikat**  
über die **Anerkennung** von Bauteilen und Systemen

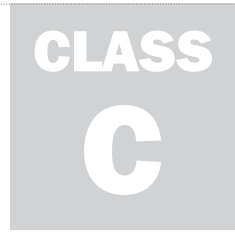
**Prüfer der Anerkennung:** Iso Serrature s.p.a.  
Via S. Girolamo 13  
IT-25055 Pisogne (BS)

**Prüfung:** M 110357 - 4  
Gültig bis: 08.12.2019 - 08.12.2020

**Objekt der Anerkennung:** Zylinderschloss - Klasse C  
Baureihe Multiblindo

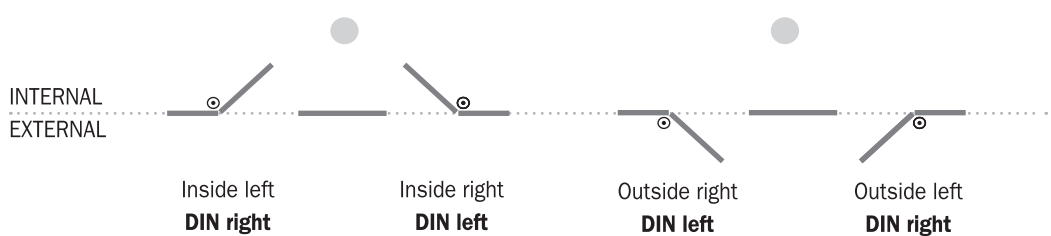
**Verwendung:** als mechanische Sicherungseinrichtung

**Anerkennungsgrundlagen:**  
VdS 2344 : 2005-12, Verfahren für die Prüfung, Anerkennung und Konformitätsbewertung von Geräten, Bauteilen und Systemen der Brandschutz- und Sicherheitstechnik  
VdS 2841 : 2005-12, Durchführung von Produktüberwachungen  
VdS 2201 : 2004-02, Richtlinien für mechanische Sicherungseinrichtungen, Zylinderschlösser, Anforderungen und Prüfmethoden  
DIN 18 251-3 : 2002-11, Schlösser, Einsteckschlösser als Mehrfachverriegelung



**VDS** is an independent German institute. A VDS certification helps end users to distinguish high quality from mediocre products and services. ISEO Serrature has obtained the highest security certification for Multiblindo product range, **CLASS C.**

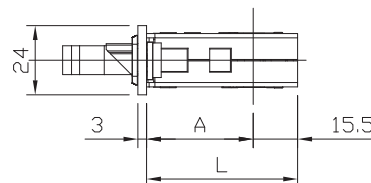
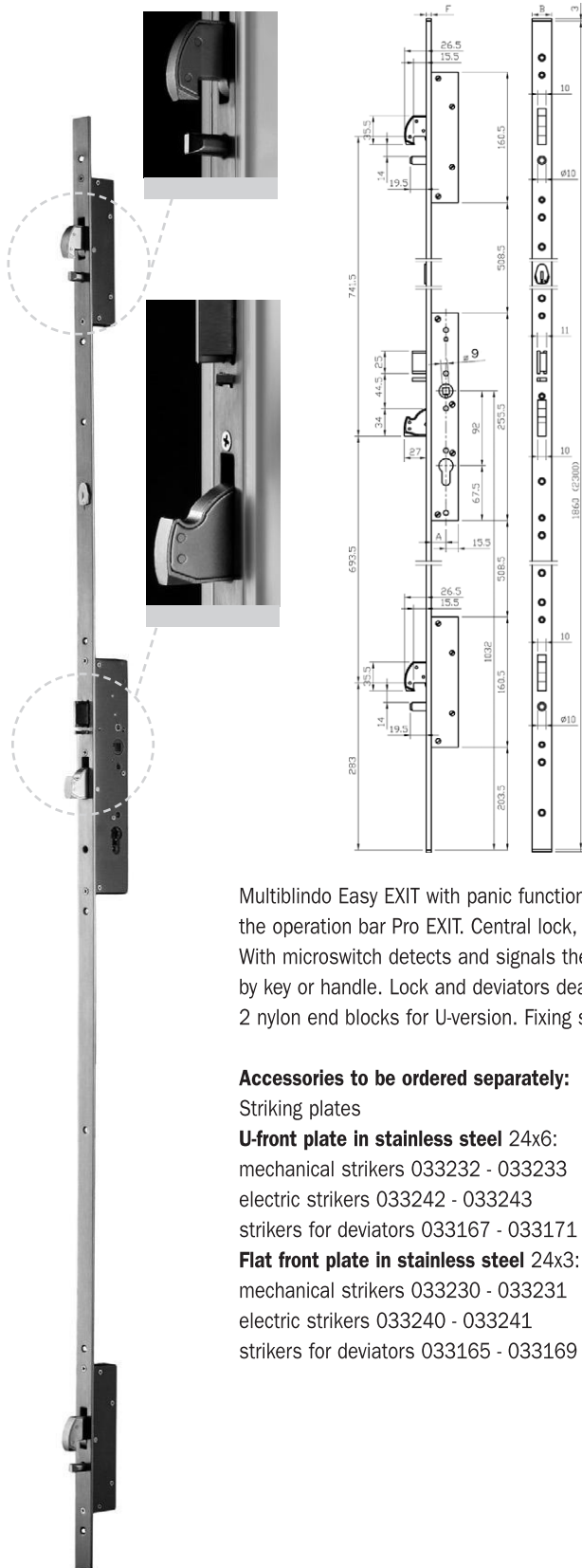
## Doors opening direction.



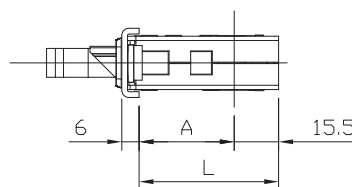




## Multiblindo Easy EXIT 92 mm centre distance



ENTRATA	A	L
35	32	47.5
40	37	52.5
45	42	57.5
50	47	62.5
55	52	67.5
60	57	72.5
65	62	77.5



ENTRATA	A	L
35	28	43.5
40	33	48.5
45	38	53.5
50	43	58.5
55	48	63.5
60	53	68.5
65	58	73.5

Multiblindo Easy EXIT with panic function is made up of the MULTIPOINT mortice lock in combination with its striking plates and the operation bar Pro EXIT. Central lock, centre distance mm 92, operating with European profile cylinder. **Hold-open function.** With microswitch detects and signals the deadbolt status. Right or left latchbolt, **non reversible**. Deadbolts and latchbolt operated by key or handle. Lock and deviators deadbolts, mm 27 throw, with anti-drill and anti-cut cover plates in carbonitrided steel. 2 nylon end blocks for U-version. Fixing screws. Instruction sheet.

### Accessories to be ordered separately:

Striking plates

#### U-front plate in stainless steel 24x6:

mechanical strikers 033232 - 033233

electric strikers 033242 - 033243

strikers for deviators 033167 - 033171

#### Flat front plate in stainless steel 24x3:

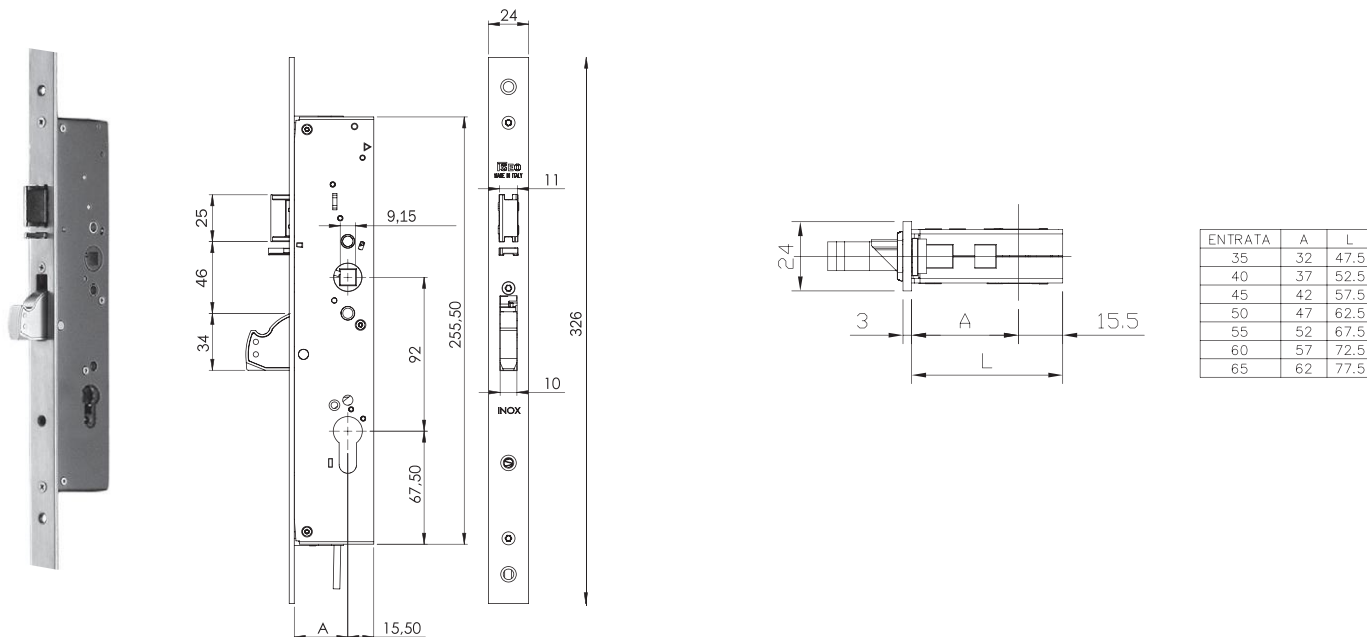
mechanical strikers 033230 - 033231

electric strikers 033240 - 033241

strikers for deviators 033165 - 033169



## Multiblindo Easy EXIT lateral



Multiblindo Easy Exit panic function/emergency is made up of the LATERAL mortice lock with its striking plates and the operation bar Pro EXIT or handle (to be ordered separately). Central lock, centre distance mm 92, operating with European profile cylinder. **Hold-open function.** With microswitch detects and signals the deadbolt status. Right or left latchbolt, **non reversible**. Deadbolts and latchbolt operated by key or handle/rod. Lock and deviators deadbolt, mm 27 throw, with anti-drill and anti-cut cover plates in carbonitrided steel. Fixing screws. Instruction sheet.

**Accessories to be ordered separately:**

Striking plates

**U-front plate in stainless steel 24x6:**

mechanical strikers 033232-033233

**Flat front plate in stainless steel 24x3:**

mechanical strikers 033230-033231



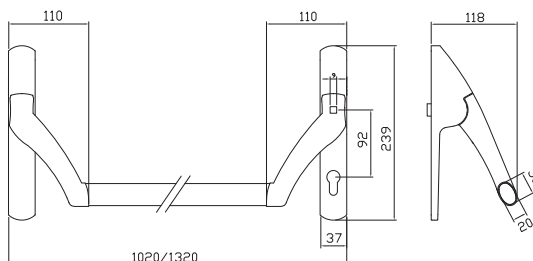
Code

Multiple  
package  
Single  
package

Min. ord.



## Pro EXIT



Pro EXIT. Operating bar for Multiblindo Easy EXIT and Multiblindo eMotion EXIT.

### 92 mm centre distance, handle follower 35°, **European cylinder.**

Square spindle 8 mm. PVD finish	<b>94A000020698</b>	1	-	1	NO
Square spindle 8 mm. ENDURANCE finish	<b>94A0000R0698</b>	1	-	1	YES
Square spindle 8 mm. PAINTED BLACK	<b>94A000050698</b>	1	-	1	YES
Square spindle 9 mm. PVD finish	<b>94A000020699</b>	1	-	1	NO
Square spindle 9 mm. PAINTED BLACK	<b>94A000050699</b>	1	-	1	YES
Square spindle 9 mm. ENDURANCE finish	<b>94A0000R0699</b>	1	-	1	YES
Square spindle 9 mm. METAL GREY	<b>94A000070699</b>	1	-	1	YES

### 94 mm centre distance, handle follower 35°, **SWISS profile cylinder.**

Square spindle 9 mm. PAINTED BLACK	<b>94A000050669</b>	1	-	1	YES
------------------------------------	---------------------	---	---	---	-----

	Horizontal oval bar for panic exit devices. Length mm <b>1130</b>					
	Stainless steel	<b>945922</b>	1	-	1	NO
	ENDURANCE	<b>94592R</b>	1	-	1	YES
	Painted white	<b>945924</b>	1	-	1	YES
	Painted black	<b>945925</b>	1	-	1	YES
	Painted metal grey	<b>945927</b>	1	-	1	YES
	PAINTED RED	<b>945928</b>	1	-	1	YES
	Painted green RAL 6029	<b>94592V</b>	1	-	1	YES

	Horizontal oval bar for panic exit devices. Length mm <b>1330</b>					
	STAINLESS STEEL	<b>945932</b>	1	-	1	NO
	ENDURANCE	<b>94593R</b>	1	-	1	YES
	PAINTED METAL GREY	<b>945937</b>	1	-	1	YES
	PAINTED RED	<b>945938</b>	1	-	1	YES

Operating bar and horizontal bar to be ordered separately.



**Microswitch**, to be fitted in the Pro EXIT panic exit devices.

Can be used in conjunction with security systems. Fixing screws. Instructions sheet.	<b>94100160</b>	1	-	1	NO
--	-----------------	---	---	---	----