

SP81
NEW



Finishes:
Silver painted or nickelled

Non-handed

For double leaves and suitable on fire door, it ensures active leaf is still closed after passive leaf.

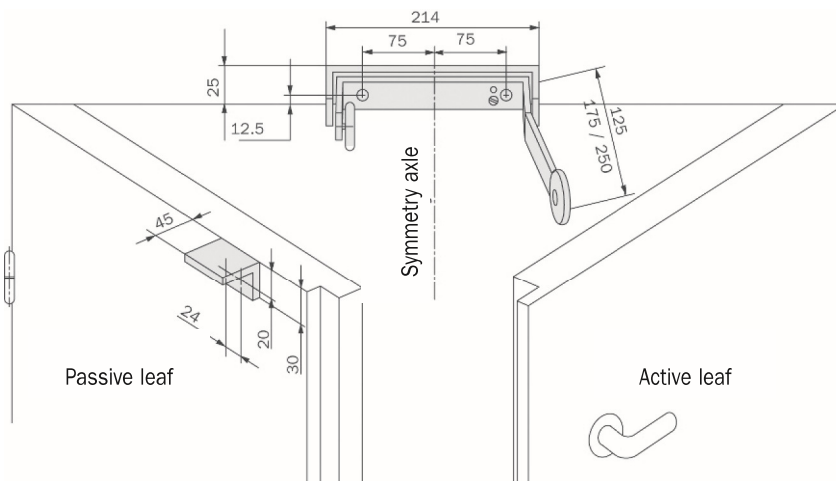
SP 81

SP 81 painted, long arm length of 125 mm	387803
SP 81 nickelled, long arm length of 125 mm	387804
SP 81 big model, painted, long arm length of 175 mm	387807
SP 81 big model, nickelled, long arm length of 175 mm	387808
SP 81 very big model, painted, long arm length of 250 mm	387805
SP 81 very big model, nickelled, long arm length of 250 mm	387809

DS90 Security device (anti-mishandling) mandatory for EC marking **387815**

TECHNICAL SPECIFICATIONS

Compatibility	All door closer with force 3 or 4
Compliance EN 1158	3 5 4 / 3 1 1 3
Opening	Not influence the opening angle of door closer
Type	In U shape with 2 wheels which ensure the correct sequence of door closing without any door damage.
Installation	Pull side
Long arm dimensions	387803 = 125 mm - 387807 = 175 mm - 387805 = 250 mm 387804 = 125 mm - 387808 = 175 mm - 387809 = 250 mm
Product weight	387803 = 0,520 kg - 387807 = 0,560 kg - 387805 = 0,640 kg 387804 = 0,520 kg - 387808 = 0,570 kg - 387809 = 0,650 kg
Wheel height position	Adjustable
Wheel of long arm lower position	125 mm = 10 mm - 175 mm = 20 mm - 250 mm = 36 mm



Type	Description	For series/item	Unit weight Pieces	ITEM			
				Type	Dim.	Hand	Fin.
	<ul style="list-style-type: none"> Closing selector for double doors with door closer Chrome-plated steel CE mark in compliance with the directive 89/106/CEE issued by ICIM 		0,808 1	1	07084	10	0
	<ul style="list-style-type: none"> Closing selector for double doors with door closer Stainless steel CE mark in compliance with the directive 89/106/CEE issued by ICIM Voluntary ICIM certification issued by third party as provided for in the same UNI EN 1158 standard 		0,720 1	1	07084	20	0
	<ul style="list-style-type: none"> Adjustable closing selector for double doors with door closer Chrome-plated steel CE mark in compliance with the directive 89/106/CEE issued by ICIM 		0,825 1	1	07084	11	0
	<ul style="list-style-type: none"> Adjustable closing selector for double doors with door closer Stainless steel CE mark in compliance with the directive 89/106/CEE issued by ICIM Voluntary ICIM certification issued by third party as provided for in the same UNI EN 1158 standard 		0,702 1	1	07084	21	0
	<ul style="list-style-type: none"> Spacer 2 mm. Black nylon 	1 07083 05 0, 1 07083 06 0, 1 07083 07 0, 1 07083 40 0 1 07083 41 0 1 07083 80 0, 1 07083 81 0, 1 07083 82 0, 1 07083 90 0	0,020 1	1	07089	12	0
	<ul style="list-style-type: none"> Adapteur for round cylinder For Cisa Prestige series panic exit devices 	59301, 59311, 59351, 59361	0,030 1	1	07165	21	0
	<ul style="list-style-type: none"> Hold-open device for use with FAST Touch panic exit devices Painted GREY (fin. 97) Painted WHITE (fin. 45) 	59801, 59811, 59816	0,054 1	1	07165	50	0

ARRONE[®]

The **complete** range.



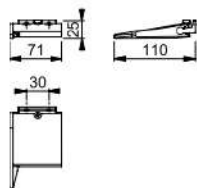
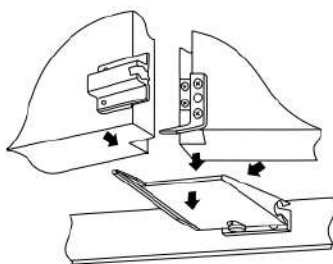
AR226

ARRONE door selector:

- Suitable for use with power size 3 to 5 closers
- Suitable for use on timber and metal doors up to 1,220 mm wide
- Suitable for door rebates up to 25 mm
- Extra length rebate arms and finishes available to special request
- Successfully type tested for conformity to all the requirements of **BS EN 1158**



Product ref.	Article description	Finish	Article no.
AR226-MK2-SE	Door selector	SE	87102975



Art. 136

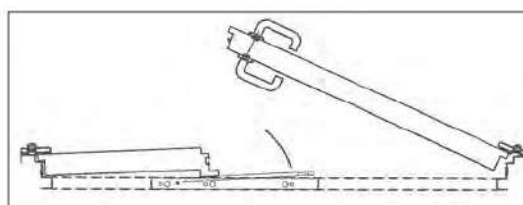
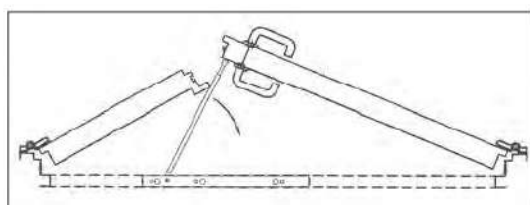
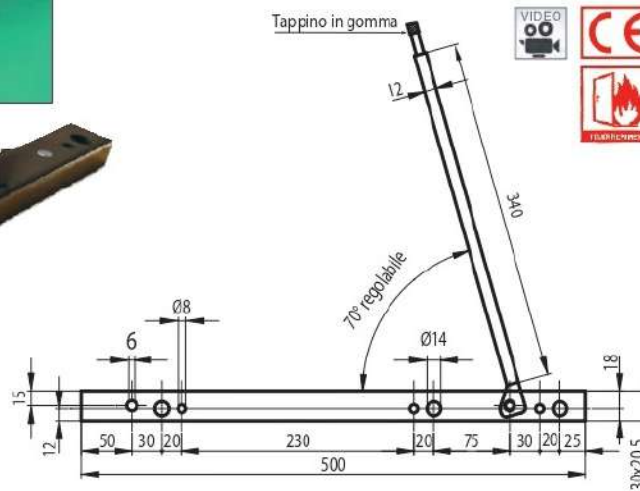
Coordinatore di chiusura per porte a doppia anta



Coordonateur de fermeture pour portes double battent
 Door closing coordinator for 2 leaf doors
 Coordinador de cierre para puertas de 2 batientes



Tappino in gomma



in ferro verniciato nero
 in fer verni noir
 black lackered steel
 hierro pintado negro

Art.	136
CODICE ART.	136
N° Pcs	1
Ka.	1.100