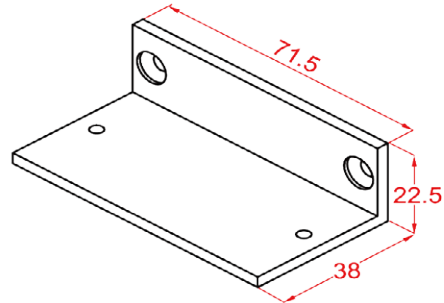
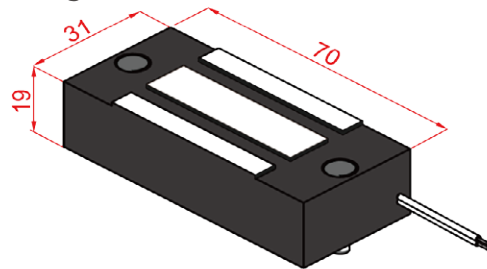


CABINET LOCKS - Surface Mounted ML80P

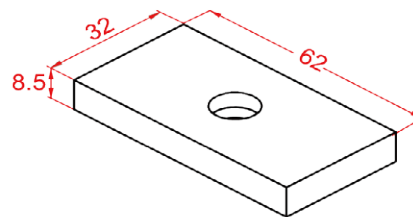
- L-Bracket : 71.5L\*38W\*22.5D mm



- Magnet : 70L\*31W\*19D mm



- Armature Plate : 62L\*32W\*8.5T mm



ML80P

▼ ORDERING INFORMATION

EXAMPLE :

- ML80P : 80LBS mini em lock unmonitored 12/ 24 VDC

▼ SPECIFICATION

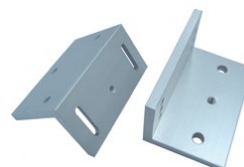
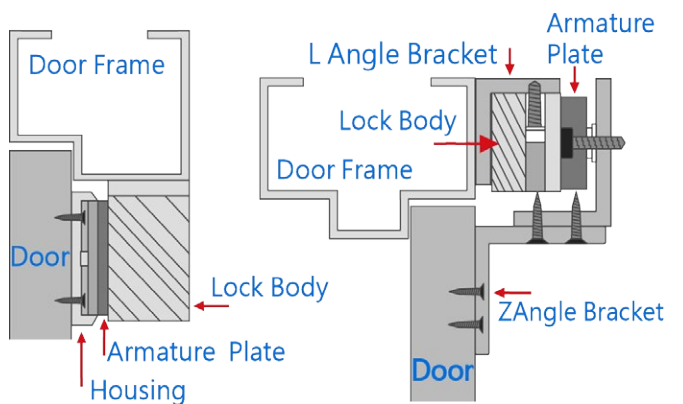
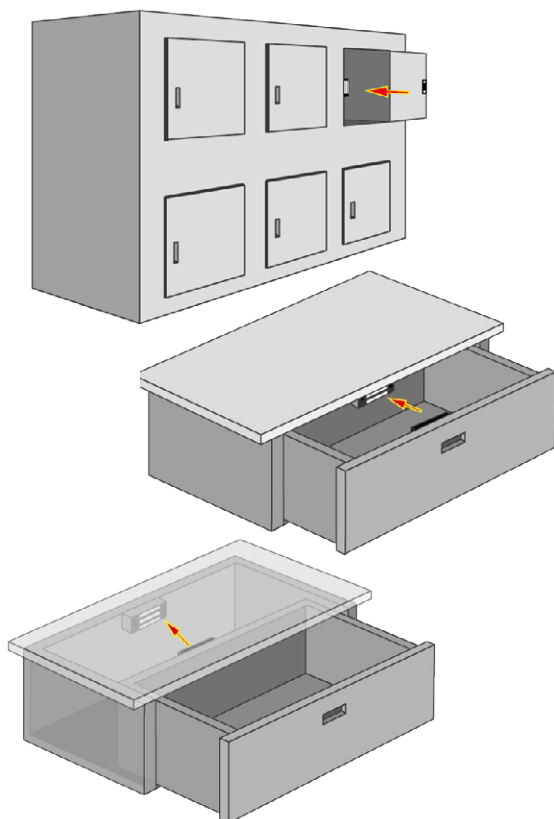
- Surface Mounted
- Voltage : 12 V/ 24VDC (Selectable)
- Current Draw : 140mA/12V , 70mA/24V
- Holding Force : about 80LBS

▼ APPLICATION

- Applications include Cabinets, Drawers,...

▼ INSTALLATION

- Can be collocate with B1032 (Z-Brackets) to fit with customer's installation environments



B1032 Z

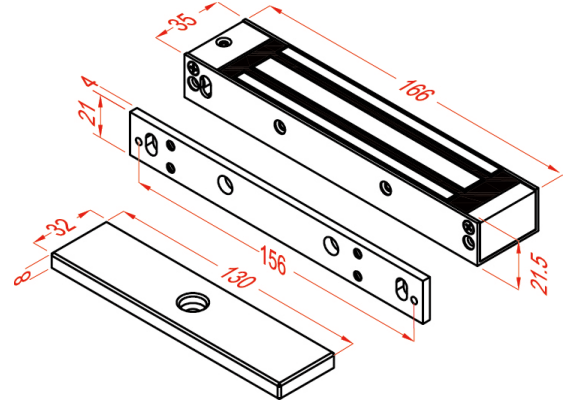
## MAGNETIC LOCKS - ML300H SERIES 300P



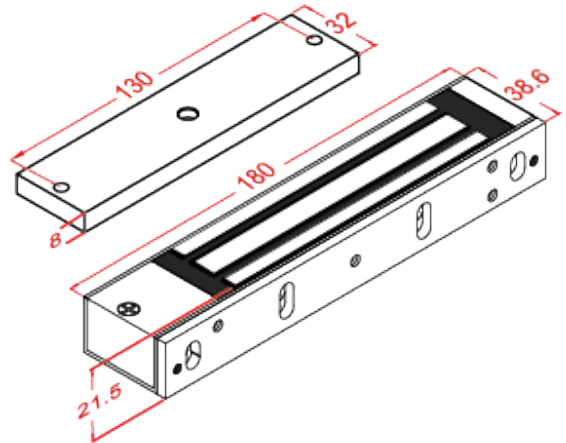
ML300H



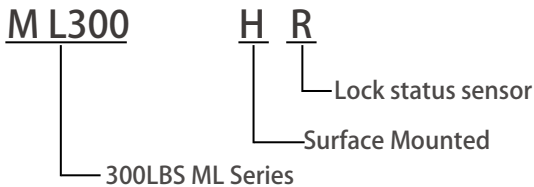
- Magnet(ML300H) : 166L\*38.6W\*21.5Dmm
- Armature Plate : 130L\*21W\*8T mm. .



- Magnet(ML300HR) : 180L\*38.6W\*21.5Dmm



### ▼ ORDERING INFORMATION



EXAMPLE :

- ML300H : Maglock 300P, surface mounted
- ML300HR : Maglock 300P, surface mounted W/Lock status sensor

### ▼ SPECIFICATION

- Voltage : 12V/24V (Selectable)
- Current Draw : 360mA/12V , 180mA /24V
- Holding Force : about 300LBS
- Built-in voltage spike suppressor
- Anodized aluminum housing
- Special Finish : Zinc (on the magnet & armature plate )

### ▼ APPLICATION

- Horizontal or vertical installation
- Suitable for in-swing / out-swing/sliding doors, cabinets, drawers, etc.

### ▼ BRACKETS INSTALLATION



B1021 - Adjustable L Bracket



B1022 - L&Z Bracket



U-130 Bracket



B0022 - Armature Plate Housing

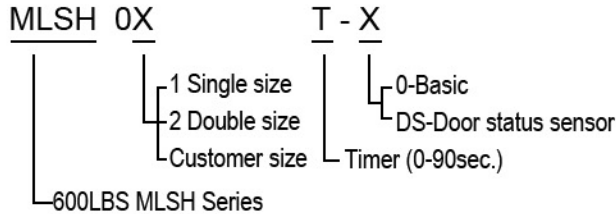


B1004 / B1005

# ELECTROMAGNETIC LOCK

## MLSH SERIES

### ORDERING INFORMATION



EXAMPLE :

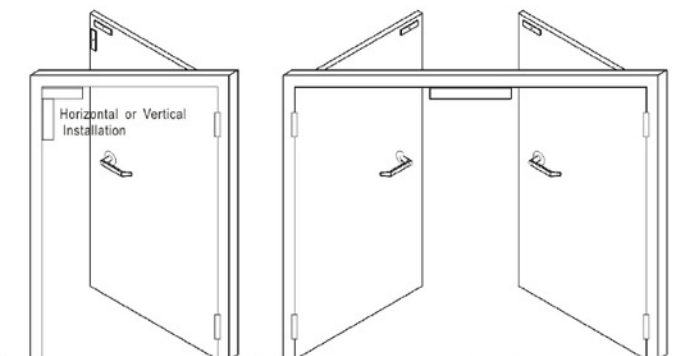
- MLSH01-0 – Maglock 600P Basic
- MLSH02T – Maglock 600P\*2 w/Lock status sensor, Timer
- MLSH01T-DS – Maglock 600P w/Lock status sensor, Timer and Door status sensor



### SPECIFICATIONS

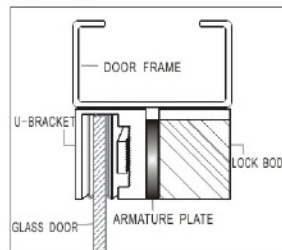
- Dimensions:
  - Magnet (MLSH01)-250Lx47.2Wx26.6D mm
  - Magnet (MLSH02)-500Lx47.2Wx26.6D mm
  - Armature Plate -185Lx38Wx12.5T mm
- Surface Mounted
- Dual Voltage: 12/24VDC
- Current Draw: 500mA/12V, 250mA/24V
- Holding Force: about 600LBS
- Built-in voltage spike suppressor
- Special Finishes for magnet and armature plate: Zinc.

### APPLICATION

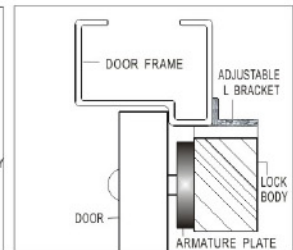


### BRACKETS & INSTALLATION

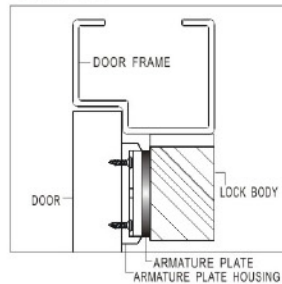
U-185



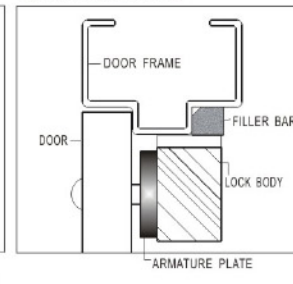
B1011



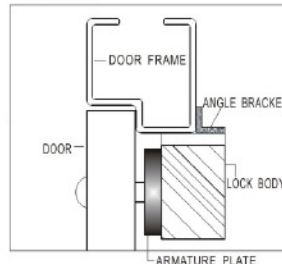
B0011A



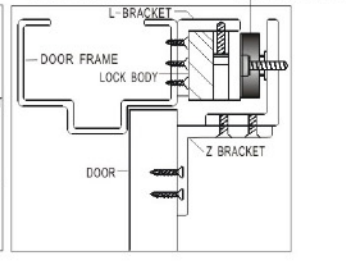
B1004&B1005



B1003



B1012A



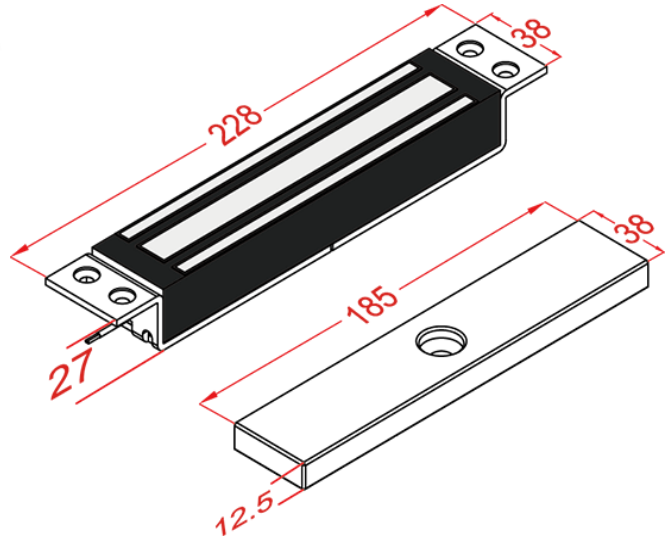
ITECH RESERVES THE RIGHT TO CHANGE SPECIFICATIONS WITHOUT NOTICE.

**MAGNETIC LOCKS - Mortice Mounted MLS01 SERIES 600P**

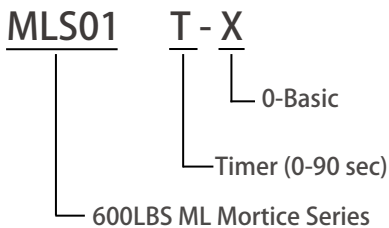


MLS01

- Magnet : 228L\*38W\*27D mm
- Armature Plate : 185L\*38W\*12.5T mm



▼ **ORDERING INFORMATION**



EXAMPLE :

- MLS01-0 : Maglock 600P , Mortice mounted, Basic
- MLS01 : Maglock 600P , Mortice mounted, W /Lock status sensor
- MLS01T : Maglock 600P , Mortice mounted, W /Lock status sensor , Timer

▼ **SPECIFICATION**

- Mortice Mounted
- Voltage : 12V / 24VDC (Selectable)
- Current Draw : 500mA/12V , 250mA /24V
- Holding Force : about 600LBS
- Built-in voltage spike suppressor
- Special Finish : Zinc (on the magnet & armature plate)

▼ **APPLICATIONS**

- Suitable for sliding doors
- Selectable material of mounting bracket : steel(default) or aluminum (optional)

▼ **BRACKETS INSTALLATION**



B0011A . B0012  
Armature Plate Housing

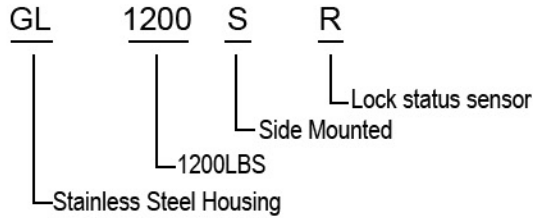


B1012 - L&Z Bracket

# ELECTROMAGNETIC LOCK

## GL SERIES

### ORDERING INFORMATION



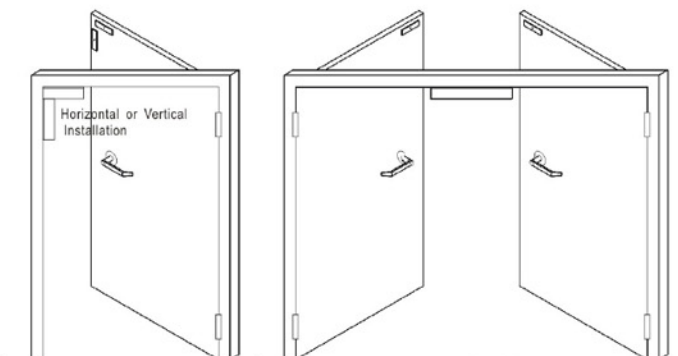
EXAMPLE :

- GL1200 – Gatelock 1200P Unmonitored, Face mounted
- GL1200S – Gatelock 1200P Unmonitored, Side mounted
- GL1200R – Gatelock 1200P w/Lock status sensor, Face mounted
- GL1200SR – Gatelock 1200P w/Lock status sensor, Side mounted

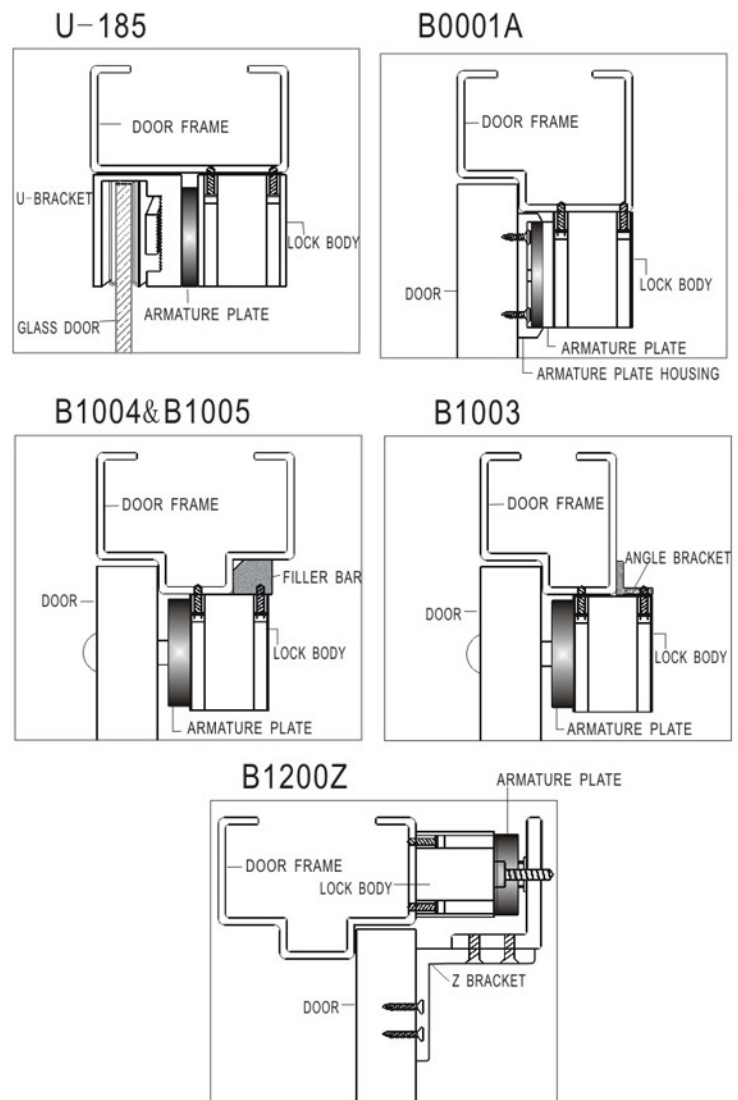
### SPECIFICATIONS

- Dimensions:
  - Magnet (GL1200)-220Lx63.5Wx41D mm
  - Magnet (GL1200S)-220Lx63.5Wx41D mm
  - Armature Plate -185Lx61Wx16T mm
- Stainless Steel Housing
- Dual Voltage: 12/24VDC
- Current Draw: 500mA/12V, 250mA/24V
- Holding Force: about 1200LBS
- Built-in voltage spike suppressor

### APPLICATION

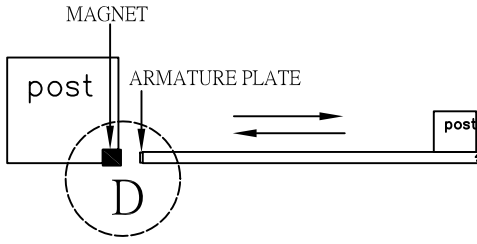
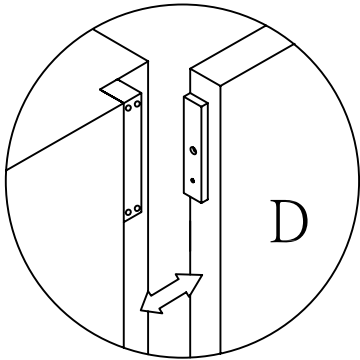
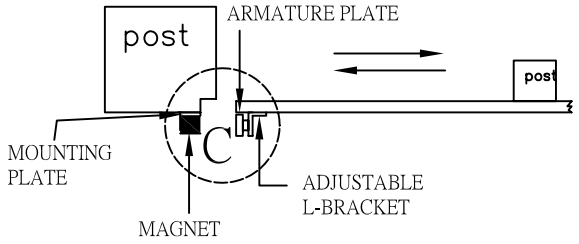
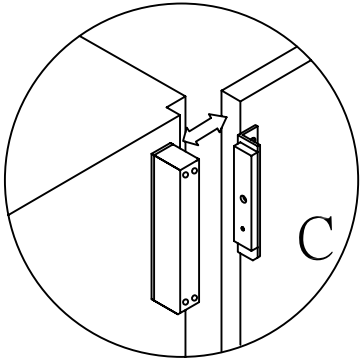
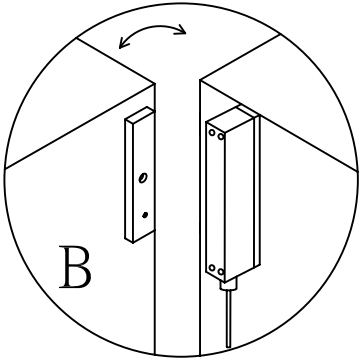
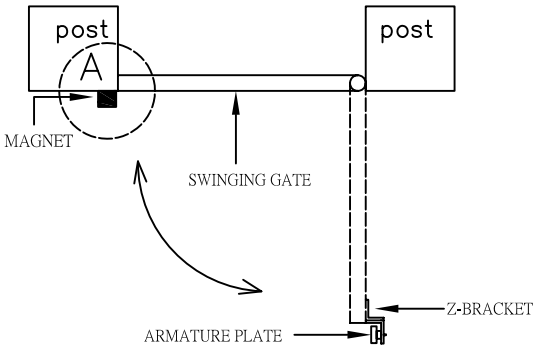
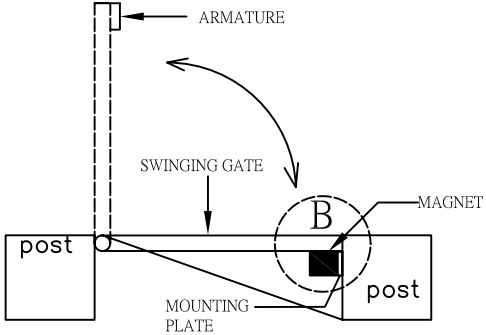
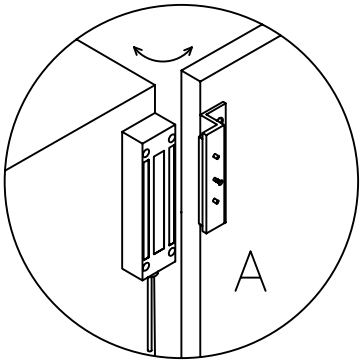


### BRACKETS & INSTALLATION



ITECH RESERVES THE RIGHT TO CHANGE SPECIFICATIONS WITHOUT NOTICE.

# TYPICAL INSTALLATION OF GATELOCKS



MAGNETIC LOCKS - Surface Mounted ML SERIES 1200P

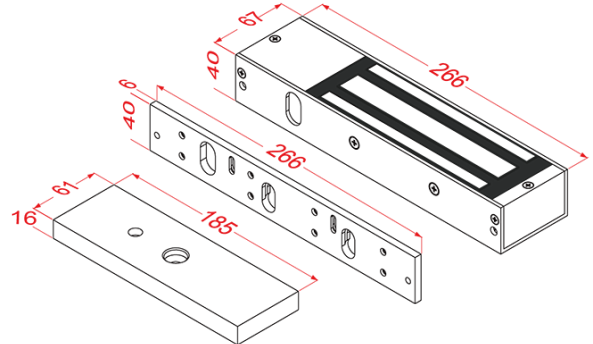


ML01

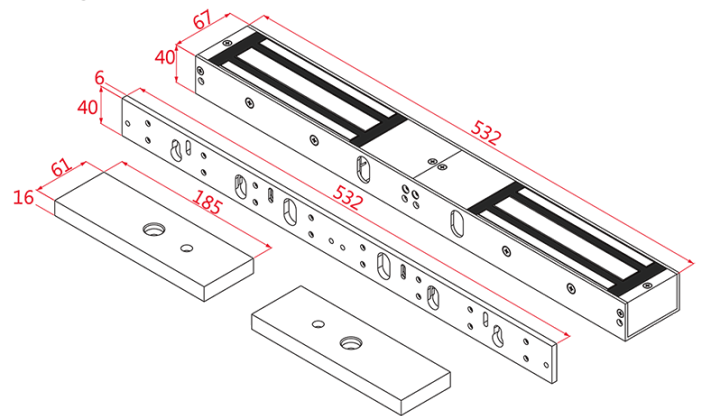


ML02

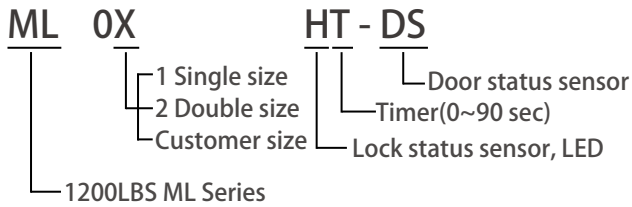
- Magnet (ML01) : 266L\*73W\*40D mm
- Armature Plate : 185L\*61W\*16T mm



- Magnet (ML02) : 532L\*73W\*40D mm



ORDERING INFORMATION



EXAMPLE :

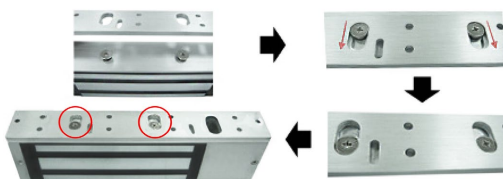
- ML01H : Maglock 1200P. W/Lock status sensor
- ML02H : Maglock 1200P. Double Size . W/Lock status sensor

SPECIFICATION

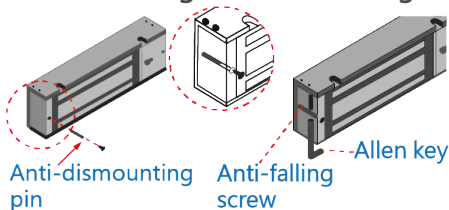
- Voltage : 12V / 24VDC (Selectable)
- Current Draw : 500mA/12V , 250mA /24V
- Holding Force : about 1200 LBS
- Built-in voltage spike suppressor
- Special Finish : Zinc (on the magnet & armature plate )
- With Bi-color LED
- Anodized aluminum housing
- Adjustable mounting plate for appropriate and easy installation
- the length can be added according to customer's request

FEATURES

- Horizontal or vertical installation
- Special mounting plate for fast , effort-saving, and simple installation



- Anti-dismounting and Anti-falling function



BRACKETS INSTALLATION



B1003 - L Bracket  
B1001 - Adjustable L Bracket



B1002A - L&Z Bracket



U-185 Bracket



Double size



B1004 / B1005



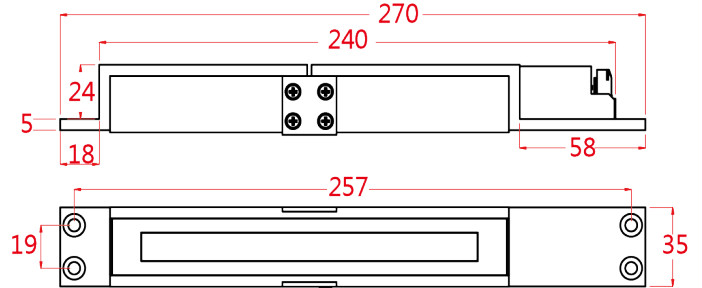
B0001A - Armature Plate Housing

MAGNETIC LOCKS - SHEAR LOCK Mortice Mounted MLM0 1

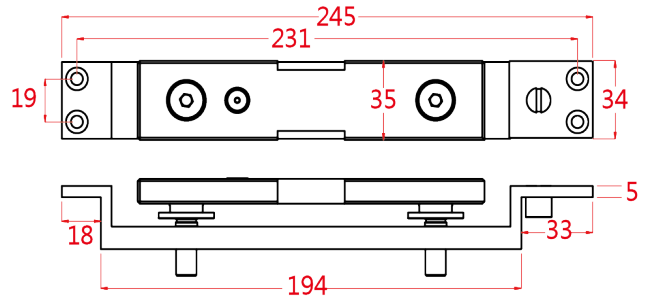


MLM01

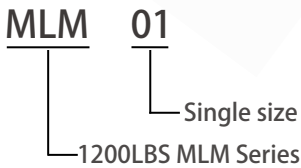
- Magnet : 270L\*35W\*30D mm



- Armature Plate : 245L\*35W\*30D mm



▼ ORDERING INFORMATION



EXAMPLE :

- MLM01 : Magnetic shear lock 1200P

▼ SPECIFICATION

- Voltage : 12V/24VDC (Selectable)
- Current Draw : 1.6A/12VDC , 0.9A/24VD
- Holding Current : 0.5A/12VDC , 0.3A/24VDC
- Holding Force : about 1200LBS
- Signal : Lock status sensor (Hall), Timer
- Special Finish : Zinc (on the magnet & armature plate)
- Black-Painted brackets
- Built-in voltage spike suppressor

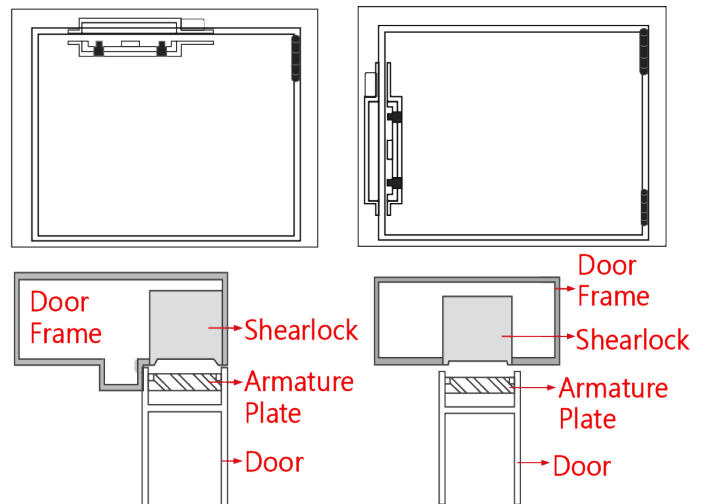
▼ SPECIAL FEATURE

- Adjustable door status position for improved security



▼ APPLICATION

- Suitable for single and double action door



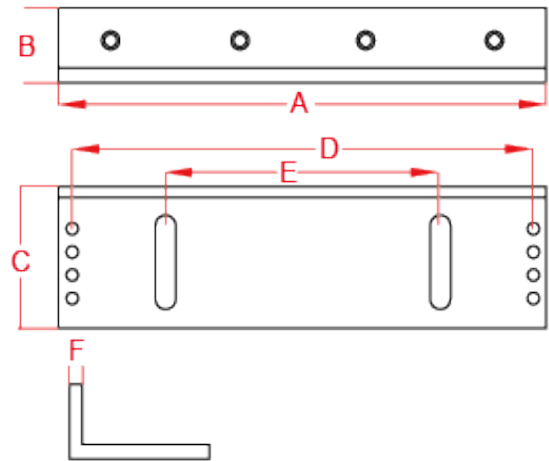
- In-swing/Out-swing door • Double action door



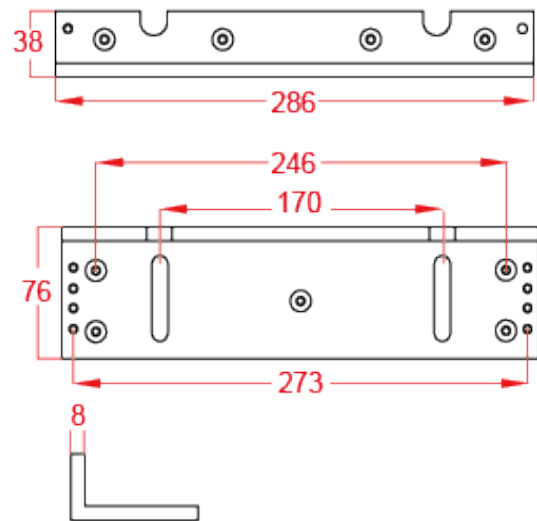
# ADJUSTABLE L Bracket - B1001 / B1011 / B1021 / B286



	A	B	C	D	E	F (mm)
B1001 -	66	38	76	252	150	6.3
B1011 -	250	30	48	238	148	5
B1021 -	166	30	42	156	142	5



B286



## ▼ ORDERING INFORMATION

EXAMPLE :

- B1001 : For 1200LBS. Maglocks
- B1011 : For 600LBS. Maglocks
- B1021 : For 300LBS. Maglocks
- B286 : For 1500LBS. Maglocks

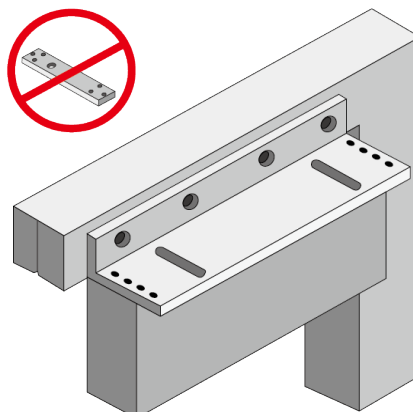
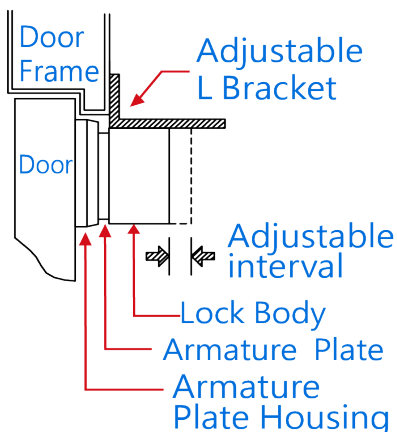
## ▼ SPECIFICATION

- Material : Aluminum
- Finish : Anodized Finish

## ▼ FEATURES

- Easy to locate the armature plate
- Collocation with electromagnetic locks to fit with customers' installation environments
- Applicable for in-swing door

## ▼ INSTALLATION



# L-Z BRACKETS - B1012A

(For 600 LBS)

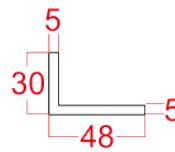
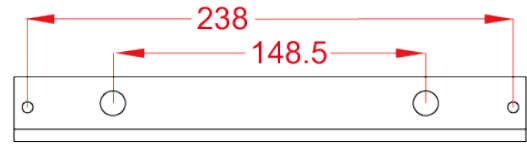


B1012A-Z

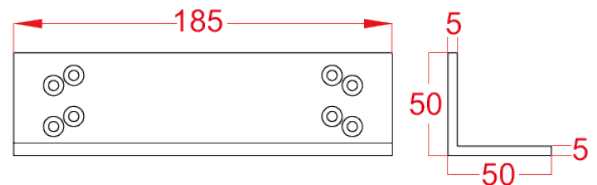
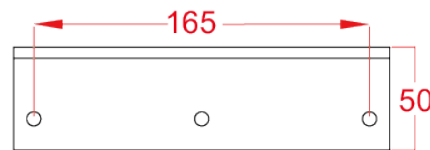
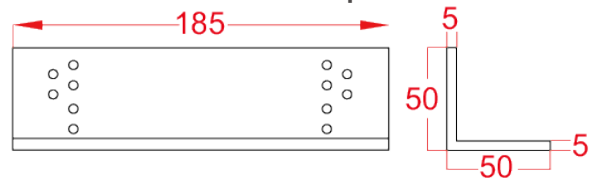


B1012A-L

• L-Brackets for lock body



• Z-Brackets for armature plate



▼ ORDERING INFORMATION

EXAMPLE :

- B1012A : For 600LBS. Maglocks

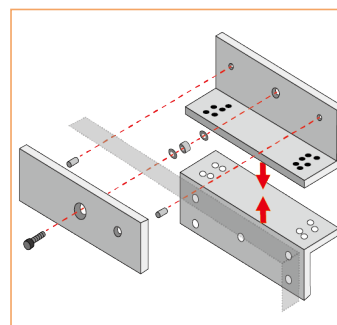
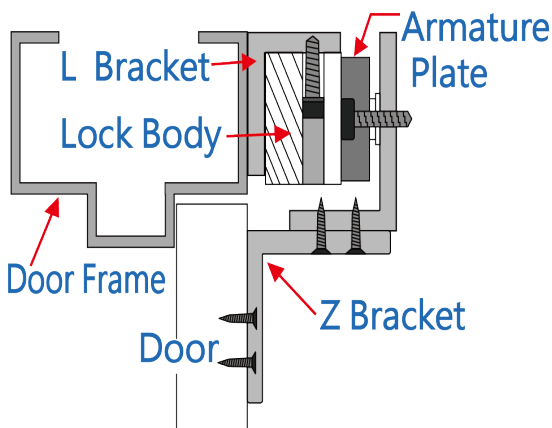
▼ SPECIFICATION

- Material : Aluminum
- Finish : Anodized Finish

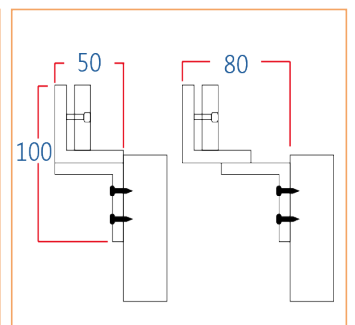
▼ FEATURES

- Easy to locate the armature plate and the magnet
- Collocation with electromagnetic locks to fit with customers' installation environments
- Applicable for in-swing door

▼ INSTALLATION



• Installation of L - Z Brackets

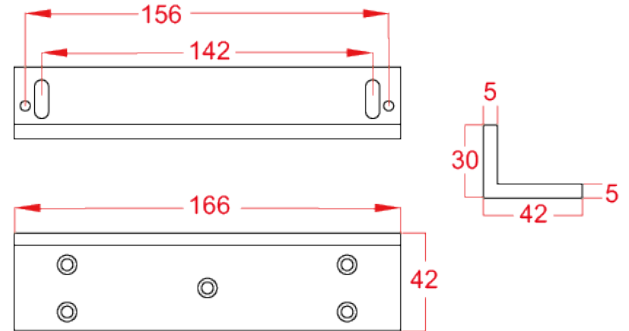


• Adjustment installation of L-Z Brackets

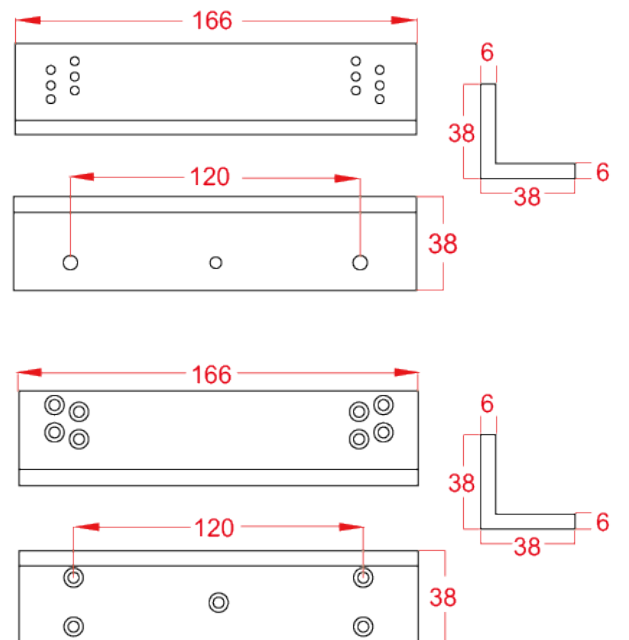
**L-Z BRACKETS - B1022 SERIES (For 300 LBS)**



• L-Brackets for lock body



• Z-Brackets for armature plate



▼ ORDERING INFORMATION

EXAMPLE :

- B1022 : For 300LBS. Maglocks

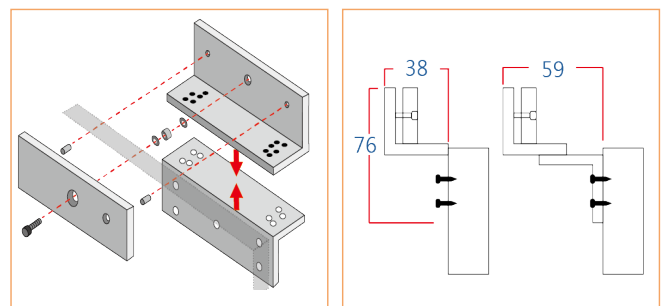
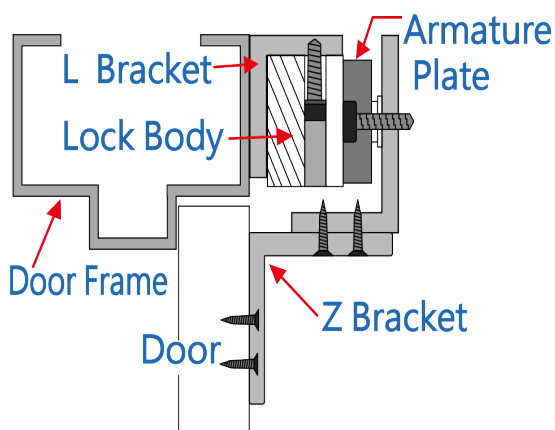
▼ SPECIFICATION

- Material : Aluminum
- Finish : Anodized Finish

▼ FEATURES

- Easy to locate the armature plate and the magnet
- Collocate with electromagnetic locks to fit with customers' installation environments
- Applicable for in-swing door

▼ INSTALLATION



• Installation of L-Z Brackets

• Adjustment installation of L-Z Brackets

**L-Z BRACKETS - B1002A (For 1200 LBS)**

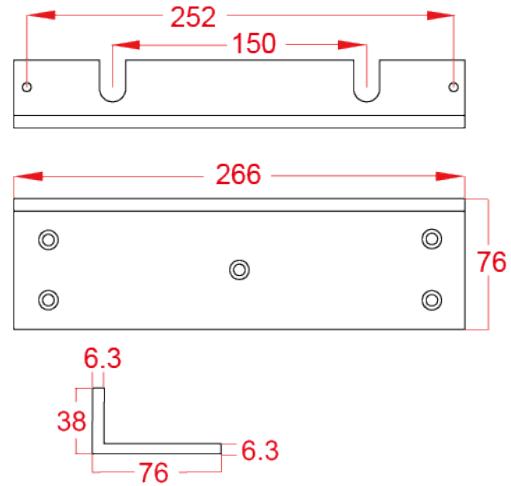


B1002A-Z

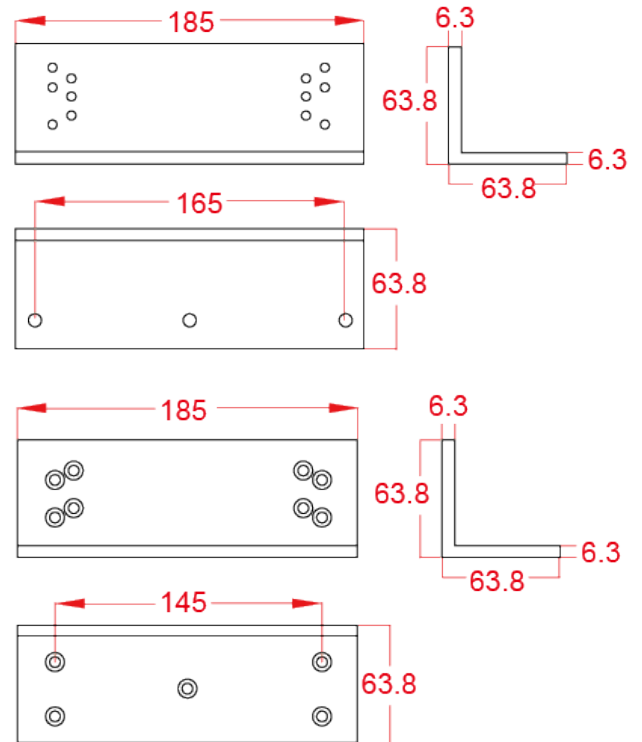


B1002A-L

• Z - brackets for lock body



• L - brackets for armature plate



▼ ORDERING INFORMATION

EXAMPLE :

- B1002A : For 1200LBS. Maglocks

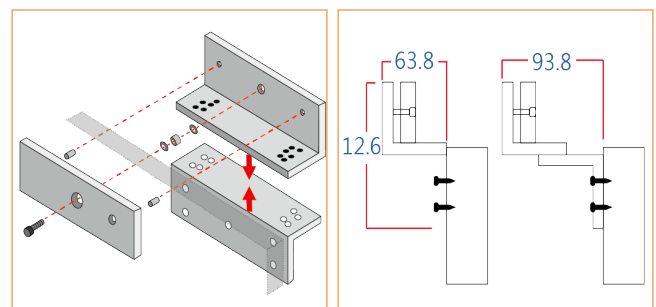
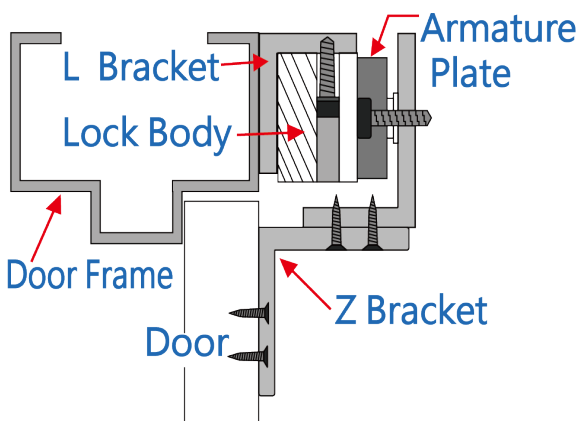
▼ SPECIFICATION

- Material : Aluminum
- Finish : Anodized Finish

▼ FEATURES

- Easy to locate the magnet and the armature plate
- Collocation with electromagnetic locks to fit with customers' installation environments
- Applicable for in-swing door

▼ INSTALLATION



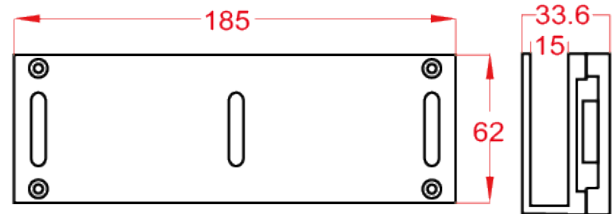
- installation of L-Z Brackets
- Adjustment installation of L-Z Brackets

## U BRACKETS - U-130A / U-185A

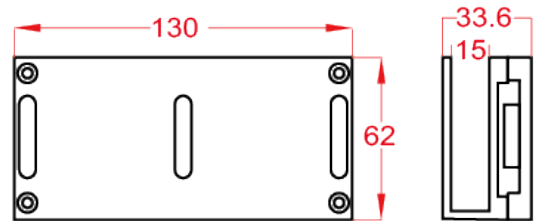


U-185A

- U-185A : 185L\*62W\*33.6D mm



- U-130A : 130L\*62W\*33.6D mm



### ▼ ORDERING INFORMATION

EXAMPLE :

- U-130A : For 300LBS.
- U-185A : For 600LBS & 1200LBS

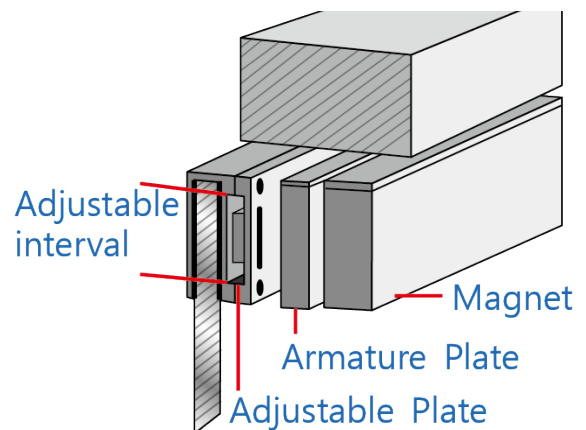
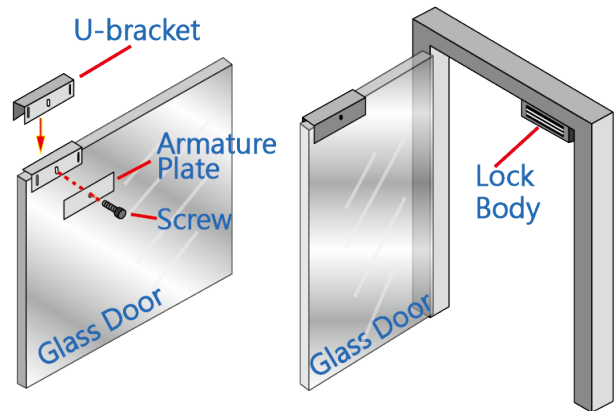
### ▼ SPECIFICATION

- Material : Aluminum
- Finish : Anodized Finish
- Glass Thickness : Using socket set screws to suit glass door (12mm-Max)

### ▼ FEATURES

- Suitable for glass door
- Use the adjustable plate to adjust the position of armature plate

### ▼ INSTALLATION



# DOOR LOOPS - SURFACE MOUNTED

## ORDERING INFORMATION

- DL045 - Door Loop with boxed ends
- SSTDL045 - S/S Door Loop with boxed ends
- SS-95 - Door Loop with ABS ends

## FEATURES

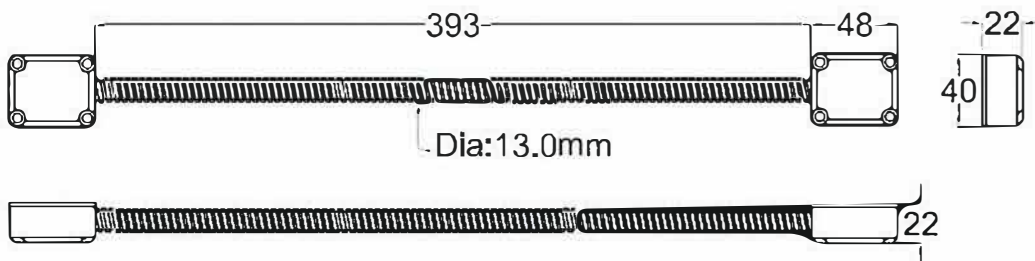
The door loops are wire extension protector when you install on doorframe to the door. It gives attractive and neat result for the wiring.

## MATERIAL

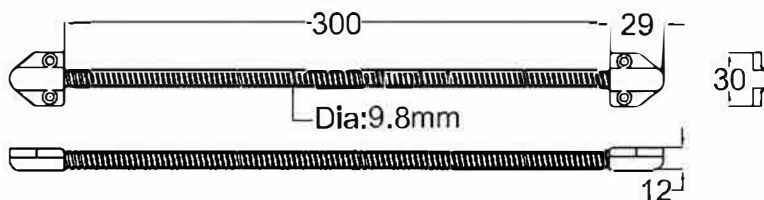
- DL045: Steel loop Zn-Plated, Alloy ends
- SSTDL045: S/S loop, Alloy ends
- SS-95: S/S loop, ABS ends

## DIMENSIONS

- The cables can be cutted into different length according as requirement.
- DL045 / SSTDL045



- SS-95

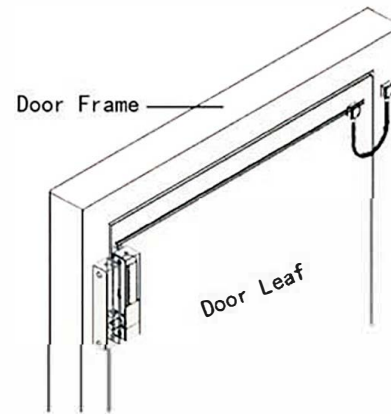


DL045

SS-95

## INSTALLATION

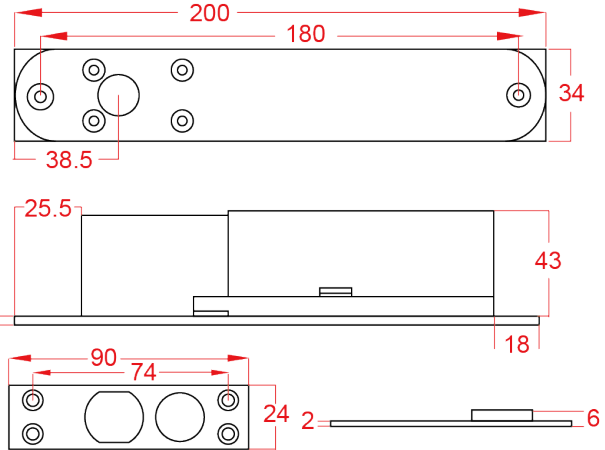
### SURFACE MOUNTED



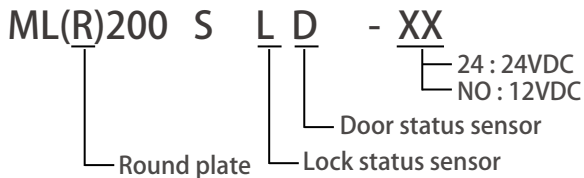
# ELECTRIC BOLTS - ML200 SERIES



• ML200 : 200L\*34W\*43H



## ORDERING INFORMATION



EXAMPLE :

- ML200SLD : With lock and door status sensor
- MLR200SLD : Round plate, with door and lock status sensor
- Round plate type : easy to make appropriate installation holes

## SPECIFICATION

- Suitable for double swing door
- Fail-safe : Locked when energized
- With lock and Door status sensor
- Built-in voltage spike suppressor
- Face Plate Material : Aluminum
- Cover Plate : Stainless steel
- Weight : 0.9KG
- Use jumper to select auto-lock time delay (0 , 2.5 , 5 sec.)
- Voltage : 12VDC or 24VDC (option)
- Current Draw : Pull-in : 1A / 12VDC  
Holding : 0.3A / 12VDC

## INSTALLATION

- Suitable for glass door or surface mount installation



## BRACKETS INSTALLATION



UG202



UG200



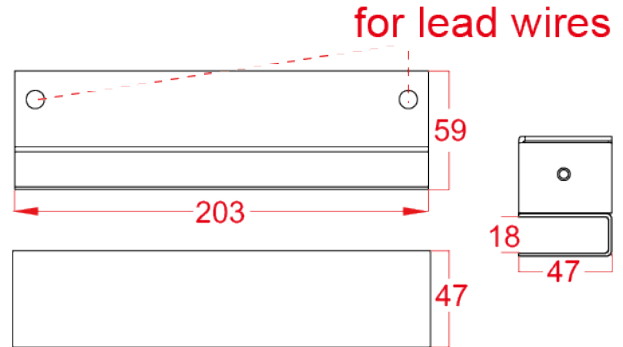
U-200 / UG201

# UG BRACKETS - UG200

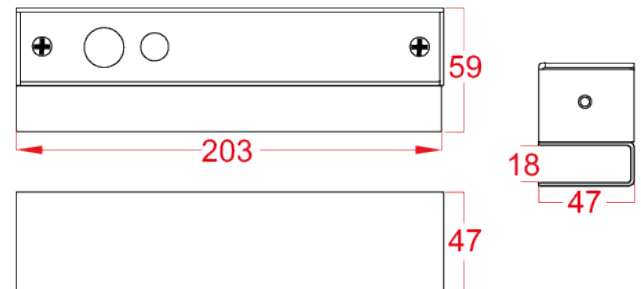


UG200

- For bolt body : 203L\*59W\*47D mm



- For strike plate : 203L\*59W\*47D mm



## ▼ ORDERING INFORMATION

EXAMPLE :

- UG200 : U-brackets for electric bolt

## ▼ SPECIFICATION

- Material : Stainless Steel
- Finish : Brushed Finish
- Glass Thickness : Using socket set screws to suit 9-15mm-thick glass door

## ▼ FEATURES

- Suitable for all-glass door

## ▼ INSTALLATION

