

ARTICOLI PER FERRO

Articles pour menuiserie en fer
Articles for steel carpentry
Articulos por hierro



FERRO

1947
2017

FERRO FERRO FERRO FERRO

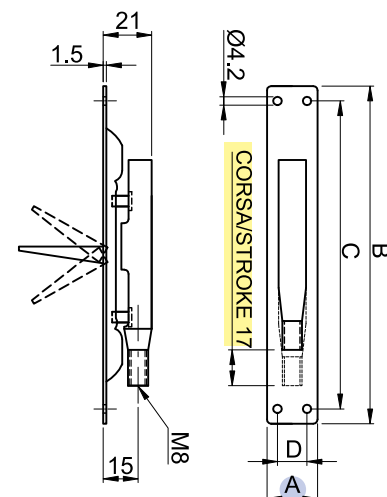
Art. 420/T



Art. 420/T

in acciaio zincato
en acier galvanisé
galvanized steel
hierro cingado

A mm	20	24
B mm	152,5	160,5
C mm	140	144,5
D mm	12,5	14
COD. 420/T	420020T	420024T
N° Pcs	10	10
Kg.	1,070	1,150



Paletto a leva per serramenti in metallo

Verrous a levier pour portes en metal
Flush bolt for metal doors
Pasador de embutir simple accion

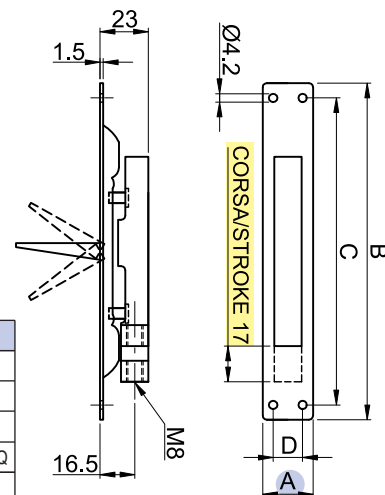
Art. 420/Q



Art. 420/Q

in acciaio zincato
en acier galvanisé
galvanized steel
hierro cingado

A mm	16	20	24
B mm	147	151	160
C mm	131	141	146
D mm	-	13	14
COD. 420/Q	420016	420020Q	420024Q
N° Pcs	10	10	10
Kg.	1,010	1,070	1,150



Art. 420/N



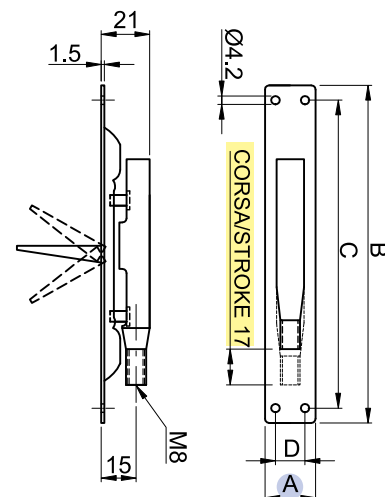
Art. 420/N

in acciaio verniciato nero
en acier verni noir
painted black steel
hierro pintado negro

A mm	24
B mm	160,5
C mm	144,5
D mm	14
COD. 420/N	420024N
N° Pcs	10
Kg.	1,150

Paletto a leva verniciato nero per serramenti in metallo

Verrous a levier verni noir pour portes en metal
Flush bolt painted black for metal doors
Pasador pintado negro de embutir simple accion



Art. 420/Fi
Art. 420/i

Paletto a leva in INOX

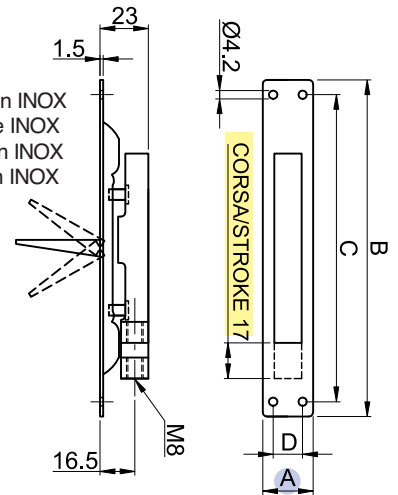
Verrou a levier INOX
Flush bolt INOX
Pasador con falleba INOX



Art. 420/i
tutto in INOX
tout INOX
entire INOX

Art. 420/Fi
in acciaio zincato con frontale e leva in INOX
en acier galvanisé avec front et levire INOX
galvanized steel with front and lever in INOX
hierro cingado con frente y falleba en INOX

A mm	24
B mm	160
C mm	146
D mm	14
COD. 420/Fi	420024Fi
COD. 420/i	420024i
N° Pcs	10
Kg.	1,150



Art. 420/L

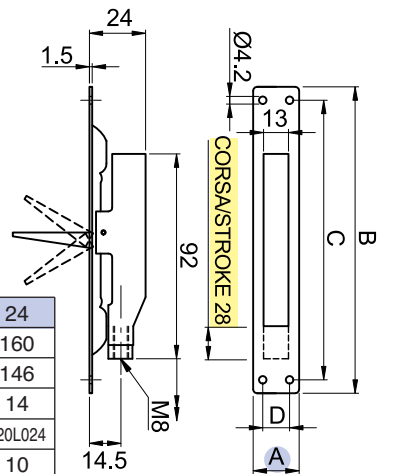
Paletto a leva per serramenti in metallo - corsa lunga

Verrous a levier pour portes en metal - course longue
Flush bolt for metal doors - long stroke
Pasador de embutir simple accion - recorrido largo



in acciaio zincato
en acier galvanisé
galvanized steel
hierro cingado

A mm	20	24
B mm	151	160
C mm	141	146
D mm	13	14
CODICE ART.	420L020	420L024
N° Pcs	10	10
Kg.	1,150	1,150



Art. 422

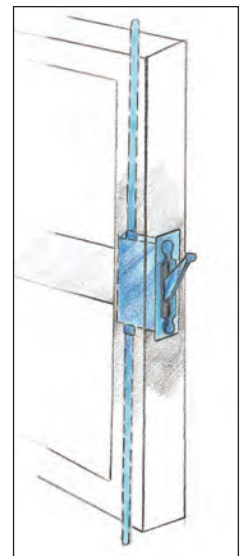
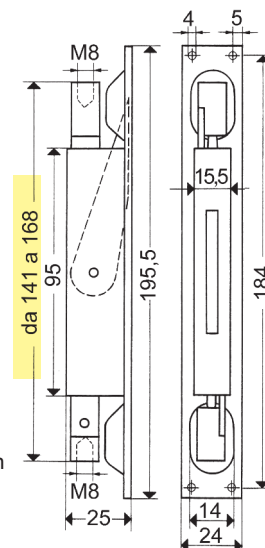
Paletto a leva a doppia azione per serramenti in metallo

Verrous a levier double action pour portes metalliques
Double acting flush bolt for metal doors
Pasador de embutir - doble accion



Art.	422
CODICE ART.	422
N° Pcs	10
Kg.	2,680

in acciaio zincato + leva ottone
en acier galvanisé + levier laiton
galvanized steel + brass lever
hierro cingado + falleba laton





CIPIERRE
sicurezza in evoluzione

CIPIERRE®

Chiusure supplementari, aste ed accessori
Additional locks points, rods and accessories

3/7 2022

Chiusura per anta fissa

Wing door device

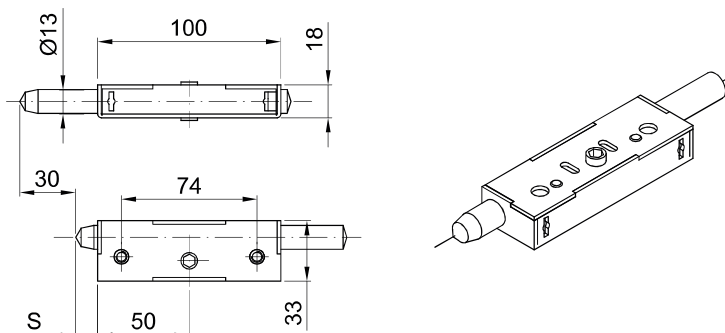


421

Paletto a cremagliera per anta semifissa
Rack bolt device for wing door

Codice Code	Sporgenza S Protrusion S	Scatola Box	Perno Bolt	Confezione Packaging
421/C	12	ZN	ZN	40
421/M	52	ZN	ZN	40
421/L	157	ZN	ZN	20

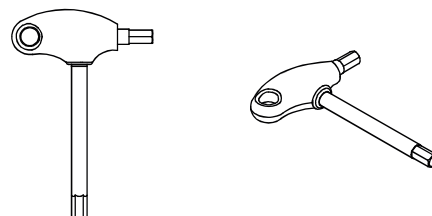
Sporgenza S a richiesta Protrusion S on request



422

Chiavetta per azionamento paletto
Rack bolt device tool

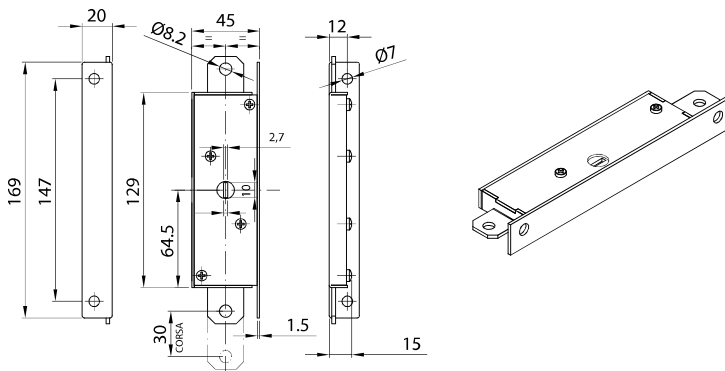
Codice Code	Confezione Packaging
422	10 - 20



423

Dispositivo di chiusura bilaterale a biella per anta semifissa
Double side connecting rod locking device for wing door

Codice Code	Corsa rinvio Rod stroke	Scatola Case	Confezione Packaging
423	30	ZN	40

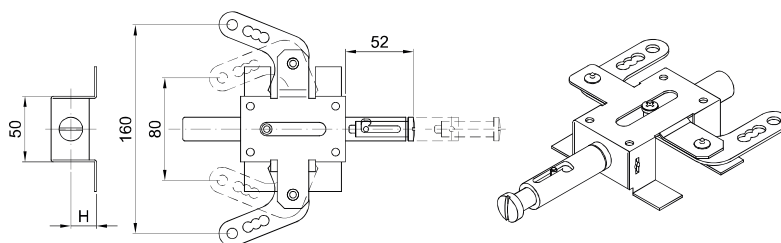


425

Dispositivo chiusura anta semifissa con alette di fissaggio
Lock device with fixing facility for wing door

Codice Code	Scatola Box	Perno Bolt	Confezione Packaging
425	ZN	CR	50

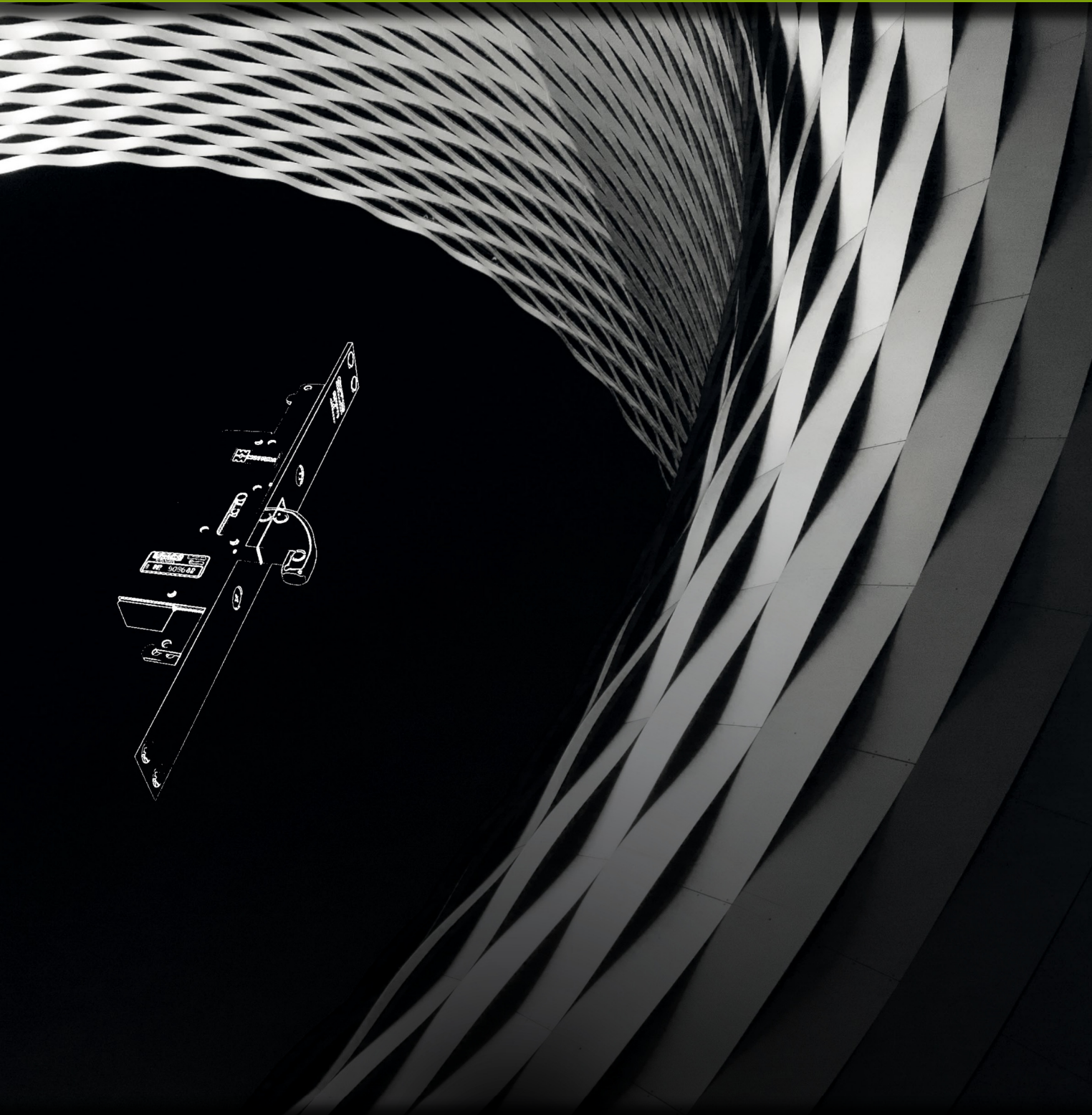
Altezza H a richiesta (Standard H=15) Size H on request (Standard H=15)



96

SWITCHLOCKS SUPPLEMENTAL LOCKS OPENING LIMITERS FOR ARMoured DOORS

MADE
IN
ITALY



SWITCHLOCKS



safeguarding your security

<h2>96.404...</h2>		<p>Mortise-type or threaded bar fittings M6 art. 99237006 in plastic or M8 art. 99237008 metal specify in the order, Accessories NOT included</p> <p>Until stocks last</p>							
<table border="1"> <thead> <tr> <th>Code</th> <th>Face plate finish</th> </tr> </thead> <tbody> <tr> <td>96.404</td> <td>Inox</td> </tr> <tr> <td>96.404M6</td> <td>Inox</td> </tr> <tr> <td>96.404M8</td> <td>Inox</td> </tr> </tbody> </table>	Code			Face plate finish	96.404	Inox	96.404M6	Inox	96.404M8
Code	Face plate finish								
96.404	Inox								
96.404M6	Inox								
96.404M8	Inox								
<h2>96.405...</h2>		<p>Mortise-type or threaded bar fittings M6 art. 99237006 in plastic or M8 art. 99237008 metal specify in the order, Accessories NOT included</p>							
<table border="1"> <thead> <tr> <th>Code</th> <th>Face plate finish</th> </tr> </thead> <tbody> <tr> <td>96.405</td> <td>Inox</td> </tr> <tr> <td>96.405M6</td> <td>Inox</td> </tr> <tr> <td>96.405M8</td> <td>Inox</td> </tr> </tbody> </table>	Code			Face plate finish	96.405	Inox	96.405M6	Inox	96.405M8
Code	Face plate finish								
96.405	Inox								
96.405M6	Inox								
96.405M8	Inox								
<h2>96.406...</h2>		<p>Mortise-type or threaded bar fittings M6 art. 99237006 in plastic or M8 art. 99237008 metal specify in the order, Accessories NOT included</p>							
<table border="1"> <thead> <tr> <th>Code</th> <th>Face plate finish</th> </tr> </thead> <tbody> <tr> <td>96.406</td> <td>Inox</td> </tr> <tr> <td>96.406M6</td> <td>Inox</td> </tr> <tr> <td>96.406M8</td> <td>Inox</td> </tr> </tbody> </table>	Code			Face plate finish	96.406	Inox	96.406M6	Inox	96.406M8
Code	Face plate finish								
96.406	Inox								
96.406M6	Inox								
96.406M8	Inox								
<h2>96.414...</h2>		<p>Mortise-type or threaded bar fittings M6 art. 99237006 in plastic or M8 art. 99237008 metal specify in the order, Accessories NOT included</p> <p>Until stocks last</p>							
<table border="1"> <thead> <tr> <th>Code</th> <th>Face plate finish</th> </tr> </thead> <tbody> <tr> <td>96.414</td> <td>Inox</td> </tr> <tr> <td>96.414M6</td> <td>Inox</td> </tr> <tr> <td>96.414M8</td> <td>Inox</td> </tr> </tbody> </table>	Code			Face plate finish	96.414	Inox	96.414M6	Inox	96.414M8
Code	Face plate finish								
96.414	Inox								
96.414M6	Inox								
96.414M8	Inox								
<h2>96.415...</h2>		<p>Mortise-type or threaded bar fittings M6 art. 99237006 in plastic or M8 art. 99237008 metal specify in the order, Accessories NOT included</p>							
<table border="1"> <thead> <tr> <th>Code</th> <th>Face plate finish</th> </tr> </thead> <tbody> <tr> <td>96.415</td> <td>Inox</td> </tr> <tr> <td>96.415M6</td> <td>Inox</td> </tr> <tr> <td>96.415M8</td> <td>Inox</td> </tr> </tbody> </table>	Code			Face plate finish	96.415	Inox	96.415M6	Inox	96.415M8
Code	Face plate finish								
96.415	Inox								
96.415M6	Inox								
96.415M8	Inox								



DROP BOLTS & GROUND CATCHERS

The Locinox range of drop bolts and ground stops offers a wide array of solutions. From the economical VSF drop bolt to our internal SUBY drop bolt, which is the top of the line in terms of ease of use and aesthetics.



Lockable drop bolt

KEYDROP (Patented)

Lockable drop bolt interchangeable with the standard VSA-VSF drop bolts. This product enables you to lock the drop bolt in open or closed position.

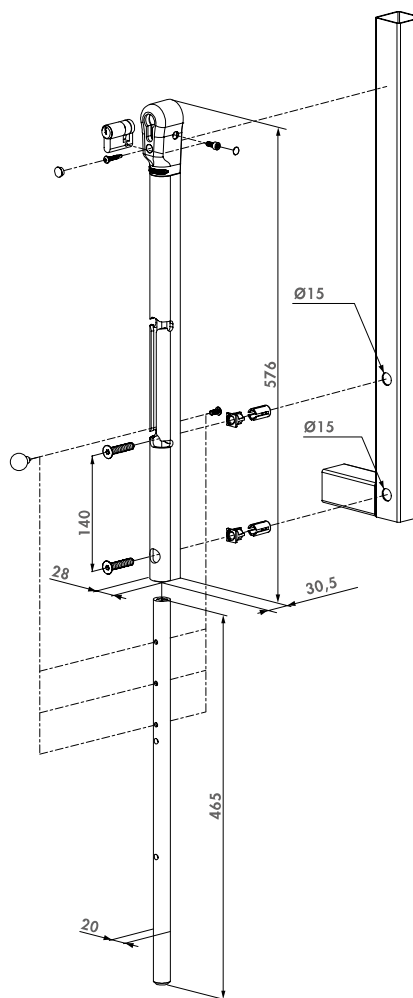


Color options

ZILV 6005 7016 9005

Specifications

- ✔ Throw: 140 mm
- ✔ Lockable drop bolt with cylinder
- ✔ Same drilling pattern as VSF and VSA
- ✔ Possibility to work with same key as gate lock
- ✔ Height adjustability of the drop bolt: 100 mm
- ✔ Height adjustability in 3 positions: 50 mm / position
- ✔ The gate can be locked in open or closed position
- ✔ For gate profiles 40x40 mm or more



Order code

KEYDROP For profiles 40 x 40 mm or more



Compatible ground stops



OGS
P. 154



SABO
P. 154



AZZI FAUSTO



MADE IN ITALY

Catalogo 2021

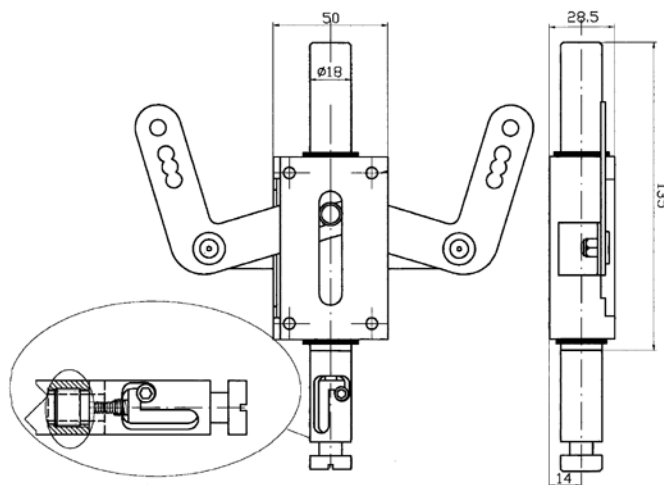
Accessori serramenti corazzati

Accessories for safety doors

DEVIATORE SECONDA ANTA

SWITCH FOR DOUBLE DOOR

D8/L



Descrizione

- **Deviatore per anta secondaria**
- Sporgenza perno 50 mm
- Corsa perno 40 mm
- Corsa leve 20/25/30/40 mm in base al foro di fissaggio
- Finitura scatola: decapato, zincato o nichelato
- Finitura perno: nichelato

Description

- **Switch for double door**
- *Piston project 50 mm*
- *Stroke piston 40 mm*
- *Levers stroke 20/25/30/40 mm on depending of which fixing hole*
- *Box finishing: pickled, zinc plated or nichel plated*
- *Piston finishing: nichel plated*

Codice <i>Code</i>	Sporgenza perno <i>Project piston</i>	Corsa perno <i>Stroke piston</i>	Corsa leve <i>Stroke levers</i>	Finitura scatola <i>Box finishing</i>
D8/L	50	40	20/25/30/40	Decapato - <i>Pickled</i>
D8/L/K	50	40	20/25/30/40	Zincato - <i>Zinc plated</i>
D8/L/W	50	40	20/25/30/40	Nichelato - <i>Nichel plated</i>



7



AR926B Lever Action Flush Bolt

Product ref.	Article description	Finish	Article no.
AR926B-SSS	200 mm x 20 mm solid lever action flush bolt	SSS	89001813

